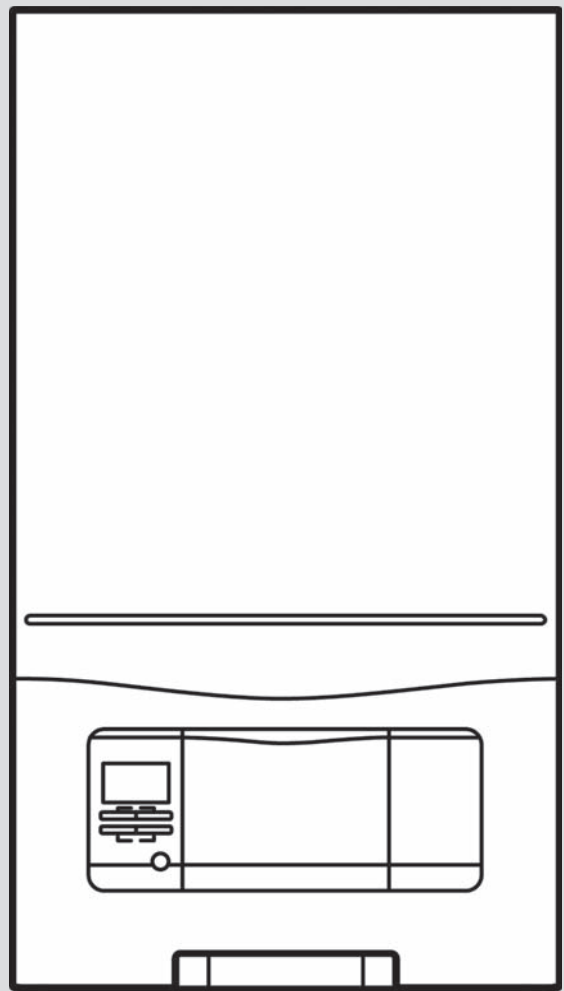




ecoFIT pure

825 - 835



Installation and maintenance instructions

Contents

1	Safety	3	9.5	Avoiding danger arising from insufficient water pressure	25
1.1	Intended use	3	9.6	Flushing the heating installation for the first time ("cold")	25
1.2	Qualification	3	9.7	Filling and purging the heating installation	25
1.3	General safety information	3	9.8	Filling the domestic hot water circuit.....	26
1.4	Regulations (directives, laws, standards)	5	9.9	Checking the gas setting	26
1.5	List of relevant standards for Great Britain and Ireland	5	9.10	Thoroughly flushing the heating installation ("hot").....	27
2	Guarantee and Customer Service	6	9.11	Checking leak-tightness	28
3	Technical data	7	10	Adapting the unit to the heating installation	28
4	Notes on the documentation	9	10.1	Setting the burner anti-cycling time	28
5	Product description	9	10.2	Setting the pump output.....	28
5.1	CE marking	9	10.3	Setting the bypass valve.....	29
5.2	Information on the identification plate.....	9	10.4	Setting the domestic hot water temperature	29
5.3	Functional elements: Combi boiler	10	11	Handing over to the end user	30
5.4	Safety Devices.....	10	12	Inspection and maintenance	31
6	Set-up	11	12.1	Complete Service Interval Record section	31
6.1	Checking the scope of delivery.....	11	12.2	Using original seals.....	31
6.2	Dimensions	11	12.3	Observing inspection and maintenance intervals	31
6.3	Installation site	12	12.4	Checking the CO ₂ content	31
6.4	Minimum clearances.....	12	12.5	Setting the CO ₂ content	31
6.5	Compartment Ventilation	12	12.6	Removing the gas-air mixture unit.....	31
6.6	Air/flue pipe.....	12	12.7	Cleaning the heat exchanger.....	32
6.7	Using the mounting template.....	15	12.8	Checking the burner	32
6.8	Wall-mounting the product.....	15	12.9	Checking the ignition electrode	32
6.9	Removing/installing the front casing	16	12.10	Cleaning the condensate trap.....	33
6.10	Removing/installing the side section	16	12.11	Cleaning the strainer in the cold water inlet.....	33
7	Installation	17	12.12	Cleaning the heating filter.....	33
7.1	Preparing for installation.....	17	12.13	Installing the gas-air mixture unit.....	33
7.2	Descaling the water	17	12.14	Draining the product	34
7.3	Check compliance with the local gas group	17	12.15	Checking the pre-charge pressure of the expansion vessel	34
7.4	Gas and water connections	17	12.16	Completing inspection and maintenance work	34
7.5	Connecting the drain pipework for the expansion relief valve	17	13	Troubleshooting	34
7.6	Connecting the condensate discharge pipe	18	13.1	Eliminating faults.....	34
7.7	Flue installation.....	20	13.2	Calling up and clearing the fault memory	34
7.8	Electrical installation	20	13.3	Resetting parameters to factory settings	34
8	Operation	23	13.4	Preparing the repair work	34
8.1	Operating concept	23	13.5	Replacing defective components.....	35
8.2	Installer level overview.....	23	13.6	Checking the product for leak-tightness	37
8.3	Calling up the installer level.....	23	14	Decommissioning the product	37
8.4	Live Monitor (status codes)	23	15	Recycling and disposal	37
8.5	Setting the hot water temperature	23	Appendix	38	
8.6	Using check programmes.....	23	A	Inspection and maintenance work	38
9	Start-up	24	B	Overview of diagnostics codes	39
9.1	Carrying out the initial start-up.....	24	C	Status codes – Overview	43
9.2	Checking and treating the heating water/filling and supplementary water	24	D	Overview of fault codes	44
9.3	Filling the condensate trap	25	E	Wiring diagram: Combi boiler	46
9.4	Switching on the product	25	F	Wiring diagram: Combi boiler (35 kW)	47
			G	Commissioning Checklist	48
			H	Commissioning Flow Chart	52
			Index	53	

1 Safety

1.1 Intended use

The product is intended as a heat generator for closed heating installations and for domestic hot water generation.

Improper use of any kind is prohibited.

Intended use also includes the following:

- use of the product only in mobile homes that are made, transported once and permanently situated in Great Britain and Ireland. After the transportation of the mobile home to its destination the complete product must be checked for leak-tightness again
- validity of the product only for Great Britain and Ireland and for the gas types in Great Britain and Ireland as listed on the data plate
- Installing and operating the product only in conjunction with accessories for the air/flue pipe which are listed in the other applicable documents and comply with the type of unit
- Using the product while observing the accompanying operating, installation and maintenance instructions for the product along with all other components of the installation
- Installing and setting up the product while observing the product and system approval
- Observing all inspection and maintenance conditions listed in the instructions
- Installing while observing the IP code

The following is classed as improper use:

- Using the product in vehicles, such as mobile homes or caravans. Units that are not classed as vehicles are those that are installed in a fixed and permanent location (known as "fixed installation").
- Any direct use in industrial or commercial processes
- Any use other than those described in these instructions and any use that goes beyond what is described here

1.2 Qualification

The person carrying out the work described here must have completed professional training. The competent person must demonstrably have all of the knowledge, skills and capabilities that are required in order to carry out the work mentioned below.

The following work must only be carried out by competent persons who are sufficiently qualified to do so:

- Set-up
- Dismantling
- Installation
- Start-up
- Inspection and maintenance
- Repair
- Decommissioning
- ▶ Proceed in accordance with current technology.
- ▶ Use the correct tool.

The above-mentioned work must always only be carried out by persons with sufficient qualifications.

This product can be used by children over eight years old and also by persons with limited physical, sensory or mental capabilities or insufficient experience and/or knowledge if they are supervised or have been provided with instructions on how to safely use the product, and they understand the risks resulting from using the product. Children must not play with the product. Cleaning and user maintenance work must not be carried out by children unless they are supervised.

1.3 General safety information

The following sections convey important safety information. It is essential to read and observe this information in order to prevent risk of death, risk of injury, material damage or environmental damage.

1.3.1 Gas

If you smell gas:

- ▶ Avoid rooms that smell of gas.
- ▶ If possible, open doors and windows fully and ensure adequate ventilation.
- ▶ Do not use naked flames (e.g. lighters, matches).
- ▶ Do not smoke.



- ▶ Do not use any electrical switches, mains plugs, doorbells, telephones or other communication systems in the building.
- ▶ Close the emergency control valve or the main isolator.
- ▶ If possible, close the gas stopcock on the product.
- ▶ Warn other occupants in the building by yelling or banging on doors or walls.
- ▶ Leave the building immediately and ensure that others do not enter the building.
- ▶ Notify the gas supply company or the Emergency Service Provider +44 (0) 800 111999 by telephone once you are outside of the building.

1.3.2 Flue gas

Flue gases may cause poisoning, while hot flue gases may also cause burns. Flue gases must therefore never be allowed to escape uncontrollably.

What to do if you smell flue gas in the property:

- ▶ Open all accessible doors and windows fully to provide ventilation.
- ▶ Switch off the product.
- ▶ Check the flue gas routes in the product and the flue gas diversions.

To prevent flue gas exit:

- ▶ Only operate the product if the air/flue pipe has been completely installed.
- ▶ With the exception of short periods for testing purposes, only operate the product when the front casing is installed and closed.
- ▶ If you operate the product with an empty condensate trap / siphon, then flue gas may escape into the room air.
- ▶ In order to operate the product, ensure that the condensate trap / siphon is always full.

To ensure that the seals are not damaged:

- ▶ Instead of grease, use only water or commercially available soft soap to aid installation.

1.3.3 Electricity

The power supply terminals L and N remain live even if the unit main switch is switched off.

To prevent electric shocks, proceed as follows before working on the product:

- ▶ Disconnect the product from the power supply by switching off all power supplies at all poles (electrical partition with a contact gap of at least 3 mm, e.g. fuse or circuit breaker) or remove the mains plug (if present).
- ▶ Secure against being switched back on again.
- ▶ Wait at least three minutes until the condensers have discharged.
- ▶ Check that there is no voltage.

1.3.4 Weight

To prevent injuries when transporting the product:

- ▶ Make sure that the product is transported by at least two people.

1.3.5 Explosive and flammable substances

To prevent explosions and fire:

- ▶ Do not use the product in storage rooms that contain explosive or flammable substances (such as petrol, paper or paint).

1.3.6 High temperatures

To prevent burns:

- ▶ Only carry out work on components once they have cooled down.

To prevent material damage that is caused by heat transfer:

- ▶ Only solder connectors if the connectors are not yet screwed to the service valves.

1.3.7 Heating water

Both unsuitable heating water and air in the heating water may cause material damage to the product and in the heat generator circuit.


- ▶ Check the quality of the heating water. (→ Page 24)
- ▶ If you use non-diffusion-tight plastic pipes in the heating installation, ensure that no air gets into the heat generator circuit.

1.3.8 Neutralisation device

To prevent contamination of the waste water:

- ▶ Check whether a neutralising unit must be installed in accordance with national regulations.



- 
- ▶ Observe local regulations on neutralising condensate.

1.3.9 Frost

To prevent material damage:

- ▶ Do not install the product in rooms prone to frost.

1.3.10 Safety devices

- ▶ Install the necessary safety devices in the installation.

1.4 Regulations (directives, laws, standards)

- ▶ Observe the national regulations, standards, directives, ordinances and laws.

1.5 List of relevant standards for Great Britain and Ireland

- ▶ Observe the national regulations, standards, directives, ordinances and laws.



You can find a list of relevant standards at:
<https://www.vaillant.co.uk/standards>



Guarantee Registration

Thank you for installing a new Vaillant appliance in your home.

Vaillant appliances are manufactured to the very highest standard so we are pleased to offer our customers a comprehensive guarantee.

To maintain your guarantee, the boiler must be serviced annually by a competent person who holds the required qualifications in accordance with the rules in force of the country where the product is installed and in accordance with the manufacturer's recommendations.

We recommend you complete your guarantee registration as soon as possible.

Sales Support:

Telephone: 0345 602 0262

Technical Enquiries:

Telephone: 0344 693 3133

Email: technical@vaillant.co.uk

General Enquiries:

Telephone: 0345 602 2922

Training Enquiries:

Telephone: 0345 601 8885

Email: training.enquiriesuk@vaillant-group.com

Spares Enquiries:

Telephone: 01773 596 615

To register your Vaillant appliance visit:

<https://self-service.vaillant.co.uk/warranty-registration>



Vaillant is a licensed member of the Benchmark Scheme. Benchmark places responsibilities on both manufacturers and installers. The purpose is to ensure that customers are provided with the correct equipment for their needs, that it is installed, commissioned and serviced in accordance with the manufacturer's instructions by a competent person approved at the time by the Health and Safety Executive and that it meets the requirements of the appropriate Building Regulations.

The Benchmark Checklist can be used to demonstrate compliance with Building Regulations and should be provided to the customer for future reference.

Installers are required to carry out installation, commissioning and servicing work in accordance with the Benchmark Code of Practice which is available from the Heating and Hotwater Industry Council who manage and promote the Scheme.

Benchmark is managed and promoted by the Heating and Hotwater Industry Council.



3 Technical data

Technical data – General

	VUW 256/6-3 (H-GB)	VUW 306/6-3 (H-GB)	VUW 356/6-3 (H-GB)
Gas category	I _{2H}	I _{2H}	I _{2H}
Diameter of the gas pipe	1/2 inch	1/2 inch	1/2 inch
Diameter of the heating connections	3/4 inch	3/4 inch	3/4 inch
Expansion relief valve connection pipe (min.)	15 mm	15 mm	15 mm
Condensate discharge pipe (min.)	21.5 mm	21.5 mm	21.5 mm
G20 gas supply pressure	2.0 kPa (20.0 mbar)	2.0 kPa (20.0 mbar)	2.0 kPa (20.0 mbar)
Gas flow at P max. – hot water (G20)	2.7 m ³ /h	3.2 m ³ /h	3.8 m ³ /h
Gas flow at P max. – heating mode (G20)	1.9 m ³ /h	2.7 m ³ /h	2.7 m ³ /h
Gas flow at P min. (G20)	0.540 m ³ /h	0.646 m ³ /h	0.762 m ³ /h
CE number (PIN)	CE-0063CP3646	CE-0063CP3646	CE-0063CP3646
SAP 2009/2012 annual efficiency (%)	89.6	89.6	89.7
Flue gas mass rate in heating mode at P min.	2.34 g/s	2.80 g/s	3.30 g/s
Flue gas mass rate in heating mode at P max.	8.3 g/s	11.5 g/s	11.6 g/s
Flue gas mass rate in hot water handling mode at P max.	11.6 g/s	13.8 g/s	16.1 g/s
Flue gas temperature (80 °C/60 °C) at P max.	60 °C	77 °C	82 °C
Flue gas temperature (80 °C/60 °C) at P min.	55 °C	55 °C	56 °C
Flue gas temperature (50 °C/30 °C) at P max.	51 °C	62 °C	56 °C
Flue gas temperature (50 °C/30 °C) at P min.	34 °C	35 °C	37 °C
Flue gas temperature in hot water handling mode	69 °C	68 °C	75 °C
Flue gas temperature when over-heating	105 °C	95 °C	104 °C
Released system types	C13, C33, C43, C53	C13, C33, C43, C53	C13, C33, C43, C53
Nominal efficiency at 80/60 °C	98.8 %	98.8 %	99.2 %
Nominal efficiency at 50/30 °C	104.0 %	104.0 %	104.0 %
Nominal efficiency at 40/30 °C	106.0 %	106.0 %	106.0 %
Nominal efficiency in partial load operation (30%) at 40/30 °C	109.8 %	109.7 %	109.9 %
NOx class	6	6	6
Product dimensions, width	390 mm	390 mm	390 mm
Product dimensions, depth	295 mm	295 mm	295 mm
Product dimensions, height	702 mm	702 mm	702 mm
Net weight	32 kg	33 kg	33 kg
Weight when filled with water	36 kg	38 kg	38 kg

Technical data – G20 power/loading G20

	VUW 256/6-3 (H-GB)	VUW 306/6-3 (H-GB)	VUW 356/6-3 (H-GB)
Maximum heat output	18 kW	25 kW	25 kW
Effective output range (P) at 40/30 °C	5.4 to 19.5 kW	6.5 to 27.0 kW	7.6 to 27.2 kW

	VUW 256/6-3 (H-GB)	VUW 306/6-3 (H-GB)	VUW 356/6-3 (H-GB)
Effective output range (P) at 50/30 °C	5.3 to 19.1 kW	6.3 to 26.5 kW	7.5 to 26.7 kW
Effective output range (P) at 80/60 °C	5.1 to 18.3 kW	6.1 to 25.4 kW	7.2 to 25.5 kW
Domestic hot water heat output (P)	5.0 to 25.2 kW	6.0 to 30.0 kW	7.1 to 35.0 kW
Maximum heat input – heating (Q max.)	18.4 kW	25.5 kW	25.7 kW
Minimum heat input – heating (Q min.)	5.1 kW	6.1 kW	7.2 kW
Maximum heat input – hot water (Q max.)	25.7 kW	30.6 kW	35.7 kW
Minimum heat input – hot water (Q min.)	5.1 kW	6.1 kW	7.2 kW

Technical data – Heating

	VUW 256/6-3 (H-GB)	VUW 306/6-3 (H-GB)	VUW 356/6-3 (H-GB)
Max. flow temperature adjustment range (default setting: 75 °C)	10 to 80 °C	10 to 80 °C	10 to 80 °C
Maximum permissible pressure	0.25 MPa (2.50 bar)	0.25 MPa (2.50 bar)	0.25 MPa (2.50 bar)
Nominal water flow ($\Delta T = 20$ K)	788 l/h	1,094 l/h	1,102 l/h
Nominal water flow ($\Delta T = 30$ K)	525 l/h	729 l/h	876 l/h
Approximate value for the condensate volume (pH value between 3.5 and 4.0) at 50/30 °C	1.84 l/h	2.55 l/h	2.57 l/h
ΔP heating at nominal flow ($\Delta T = 20$ K)	0.025 MPa (0.250 bar)	0.025 MPa (0.250 bar)	0.018 MPa (0.180 bar)

Technical data – Domestic hot water

	VUW 256/6-3 (H-GB)	VUW 306/6-3 (H-GB)	VUW 356/6-3 (H-GB)
Specific flow rate (D) ($\Delta T = 30$ K) in accordance with EN 13203	12.1 l/min	14.2 l/min	16.5 l/min
Continuous flow rate ($\Delta T = 35$ K)	622 l/h	730 l/h	849 l/h
Specific flow rate ($\Delta T = 35$ K)	10.4 l/min	12.2 l/min	14.1 l/min
Minimum permissible pressure	0.03 MPa (0.30 bar)	0.03 MPa (0.30 bar)	0.03 MPa (0.30 bar)
Maximum permissible pressure	1 MPa (10 bar)	1 MPa (10 bar)	1 MPa (10 bar)
Recommended pressure	0.2 MPa (2.0 bar)	0.2 MPa (2.0 bar)	0.2 MPa (2.0 bar)
Temperature range	35 to 60 °C	35 to 60 °C	35 to 60 °C
Maximum water flow rate	8.0 l/min	10.0 l/min	12.0 l/min

Technical data – Electrics

	VUW 256/6-3 (H-GB)	VUW 306/6-3 (H-GB)	VUW 356/6-3 (H-GB)
Electrical connection	230 V / 50 Hz	230 V / 50 Hz	230 V / 50 Hz
Built-in fuse (slow-blow)	T2/2A, 250V	T2/2A, 250V	T2/2A, 250V
Max. electrical power consumption	87 W	87 W	98 W
Standby electrical power consumption	2 W	2 W	3 W
IP rating	IPX4D	IPX4D	IPX4D

4 Notes on the documentation

- ▶ Always observe all operating instructions enclosed with the installation components.
- ▶ Store these instructions and all other applicable documents for further use.

These instructions apply only to:

Product article number

	Article number	Gas Council Number
VUW 256/6-3 (H-GB) ecoFIT pure 825	0010020389	47-044-68
VUW 306/6-3 (H-GB) ecoFIT pure 830	0010020390	47-044-74
VUW 356/6-3 (H-GB) ecoFIT pure 835	0010020391	47-044-70

5 Product description

5.1 CE marking




The CE marking shows that the products comply with the basic requirements of the applicable directives as stated on the declaration of conformity.




The declaration of conformity can be viewed at the manufacturer's site.

5.2 Information on the identification plate

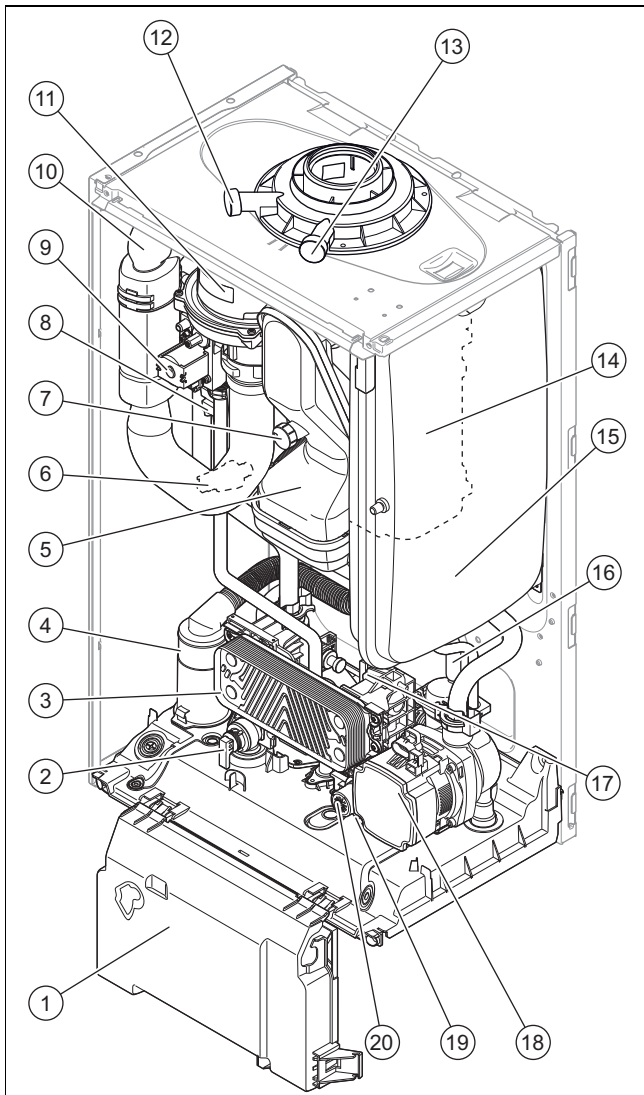
The identification plate is mounted on the underside of the product in the factory.

The identification plate keeps record of the country in which the product is to be installed.

Information on the identification plate	Meaning
	Barcode with serial number
Serial number	For quality control purposes; 3rd and 4th digits = year of production For quality control purposes; 5th and 6th digits = week of production For identification purposes; 7th to 16th digits = product article number For quality control purposes; 17th to 20th digits = place of manufacture
ecoFIT pure	Product designation
2H, G20 – 2 kPa (20 mbar)	Factory setting for type of gas and gas connection pressure
Cat.	Unit category
Condensing technology	Efficiency class of the boiler in accordance with EC Directive 92/42/EEC
Type: Xx3(x)	Permissible flue gas connections
PMS	Maximum water pressure in heating mode

Information on the identification plate	Meaning
PMW	Maximum water pressure in hot water handling mode
V/Hz	Electrical connection
W	Max. electrical power consumption
IP	Level of protection
	Heating mode
	Hot water generation
P _n	Nominal heat output range in heating mode
P _{nc}	Nominal heat output range in heating mode (condensing technology)
P	Nominal heat output range in hot water handling mode
Q _n	Nominal heating load range in heating mode
Q _{nw}	Nominal heating load range in hot water handling mode
T _{max.}	Max. flow temperature
NO _x	NO _x class for the product
Code (DSN)	Specific product code
	Read the instructions.
GC no.	Gas council number

5.3 Functional elements: Combi boiler



- | | | | |
|----|---|----|--|
| 1 | Electronics box | 12 | Supply air test point
(for the upper air/flue connection) |
| 2 | Pressure relief valve for the heating circuit | 13 | Flue gas analysis point
(for the upper air/flue connection) |
| 3 | Plate heat exchanger | 14 | Primary heat exchanger |
| 4 | Condensate trap | 15 | Heating expansion vessel |
| 5 | Flue pipe | 16 | Purging hose |
| 6 | Pressure sensor | 17 | Volume flow sensor |
| 7 | Flue gas analysis point
(for the rear air/flue connection) | 18 | Heating pump |
| 8 | Ignition transformer | 19 | Bypass |
| 9 | Gas valve assembly | 20 | Diverter valve |
| 10 | Air intake pipe | | |
| 11 | Fan/gas-air mixture | | |

5.4 Safety Devices

5.4.1 Electrical Supply Failure

The boiler will not work without an electrical supply. Normal operation of the boiler should resume when the electrical supply is restored.

Reset any external controls, to resume normal operation of the central heating.

If the boiler does not resume normal operation press the reset button. If the boiler does not resume normal operation after this call your Installation/ Servicing company or Vaillant service.

5.4.2 Overheating Safety

The boiler software is designed to recognise the potential for an overheat lockout and will shutdown before this happens. To restart the boiler, press the reset button on the boiler interface.

If the boiler fails to resume normal operation and all external controls are calling for heat, then call your Installation/ Servicing company or Vaillant service.

5.4.3 Frost protection

The appliance has a built in frost protection device that protects the boiler from freezing. With the gas and electric supplies ON and irrespective of any room thermostat setting, the frost protection device will operate the pump when the temperature of the boiler water falls below 12 °C.

A timer is used so that the temperature can be checked periodically. After 10 minutes the pump will be stopped if the temperature is higher than 10 °C or has already reached 35 °C. The burner will activate if the boiler temperature does not reach 10 °C after 30 minutes or at any time if the temperature drops to 5 °C.

The burner will switch off when the temperature reaches 35 °C.

5.4.4 Condensate Drain Blockage

As a safety feature the boiler will stop working if the condensate drain becomes blocked. During freezing conditions this may be due to the forming of ice in the condensate drain external to the house. Release an ice blockage by the use of warm cloths on the pipe. After pressing reset the boiler should restart.

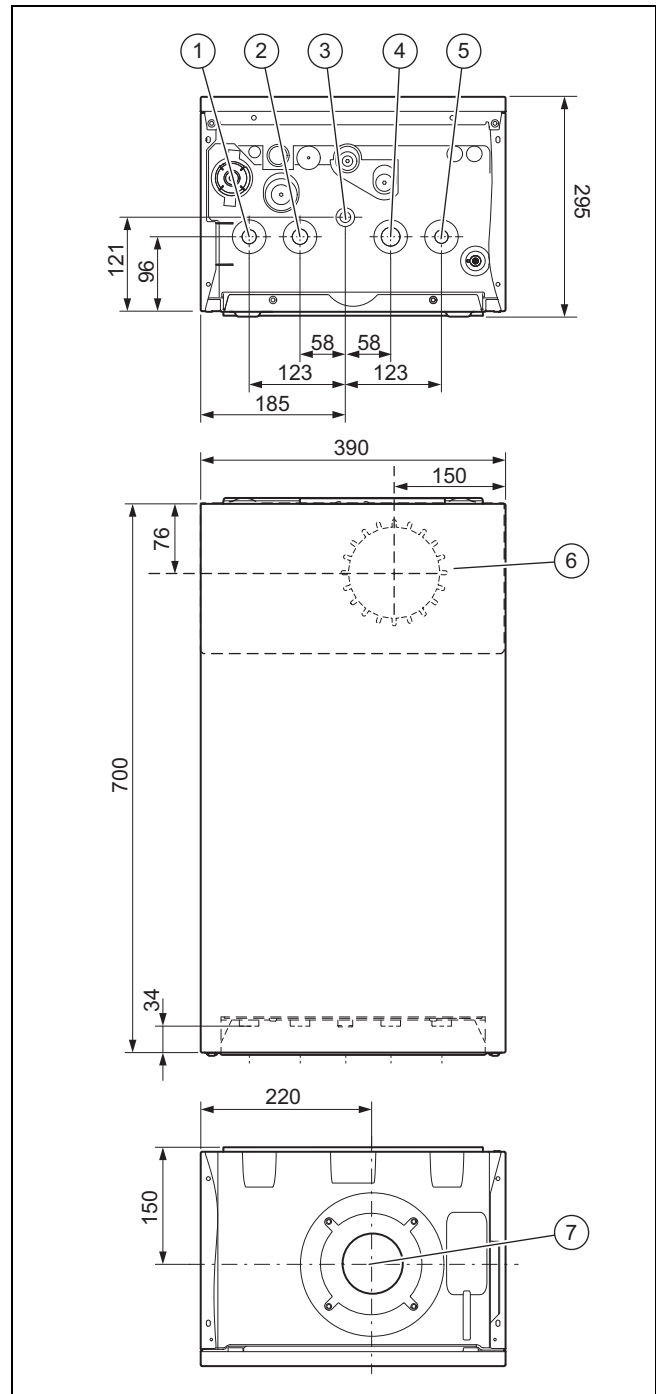
6 Set-up

6.1 Checking the scope of delivery

- ▶ Check that the scope of delivery is complete and intact.

Number	Designation
1	Heat generator
1	Unit mounting bracket
1	Flexible condensate discharge pipe
6	3/4" seals
4	1/2" seals
1	Service valve
1	Gas stopcock
1	Filling loop
2	Connection pipe (heating flow and return)
1	Cold water connection pipe
1	Domestic hot water connection pipe
1	Gas pipe
1	Drain pipe for the Pressure relief valve
1	Mounting template
1	Enclosed documentation

6.2 Dimensions



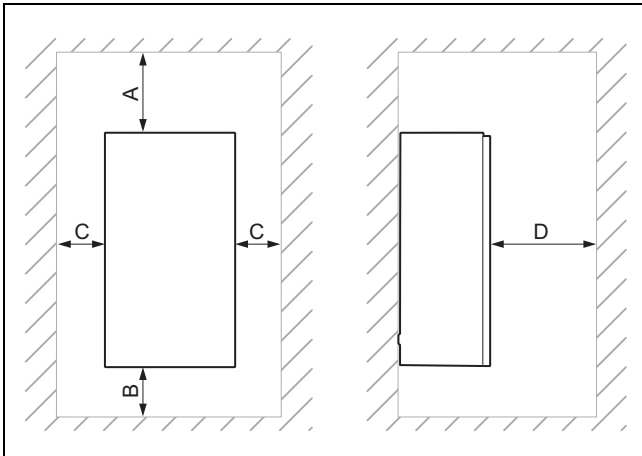
- | | | | |
|---|-------------------------------|---|--------------------------|
| 1 | Heating flow | 4 | Cold water connection |
| 2 | Domestic hot water connection | 5 | Heating return |
| 3 | Gas connection | 6 | Rear air/flue connection |
| | | 7 | Top air/flue connection |

6.3 Installation site

This boiler is not suitable for outdoor installation. This boiler may be installed in any room. However if the boiler is being installed in a room containing a bath or shower it must only be installed in zones 2 or 3. In GB this is the current I.E.E. WIRING REGULATIONS and BUILDING REGULATIONS. In IE reference should be made to the current edition of I.S.813 "Domestic Gas Installations" and the current ETCl rules.

If the boiler is to be installed in a timber frame building it should be fitted in accordance with the current version of the Institute of Gas Engineers document IGE/UP/7. If in doubt seek advice from local gas undertaking or the manufacturer.

6.4 Minimum clearances



	Minimum clearance
A	150 mm (top air/flue connection) 20 mm (rear air/flue connection)
B	150 mm
C	5 mm (70 mm, if the side sections have to be removed)
D	500 mm

The boiler and flue are suitable for installation onto and through combustible materials provided that:

1. Minimum 5 mm clearance is maintained around the circumference of the flue (air intake).
2. The combustible surface and fixings are suitable for supporting the load.
3. The minimum clearances from the boiler case are maintained.

6.5 Compartment Ventilation

The boilers are very high efficiency appliances.

As a consequence the heat loss from the appliance casing during operation is very low.

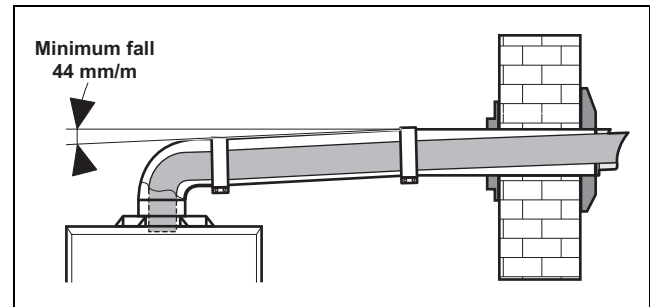
Compartment ventilation is not required as the products are only certified, and can only be fitted with a concentric flue system.

6.6 Air/flue pipe

6.6.1 Regulation

Different flue outlet configurations can be carried out.

- Consult the installation manual for air/flue gas systems for more information about the other possibilities and associated accessories.



- Standard flue terminal kits have an in-built fall back to the boiler to drain the condensate. These can be fitted level between the appliance and the termination position. All other extended flues must have a fall of at least 44 mm/m.

The maximum length of the flue outlet is defined according to its type (for example C13).

- Whatever the kind of flue system chosen, observe the minimum distances to position the flue terminals.
- To install the flue, refer to the separate flue instruction supplied with your appliance.
- Explain these requirements to the user of the appliance.

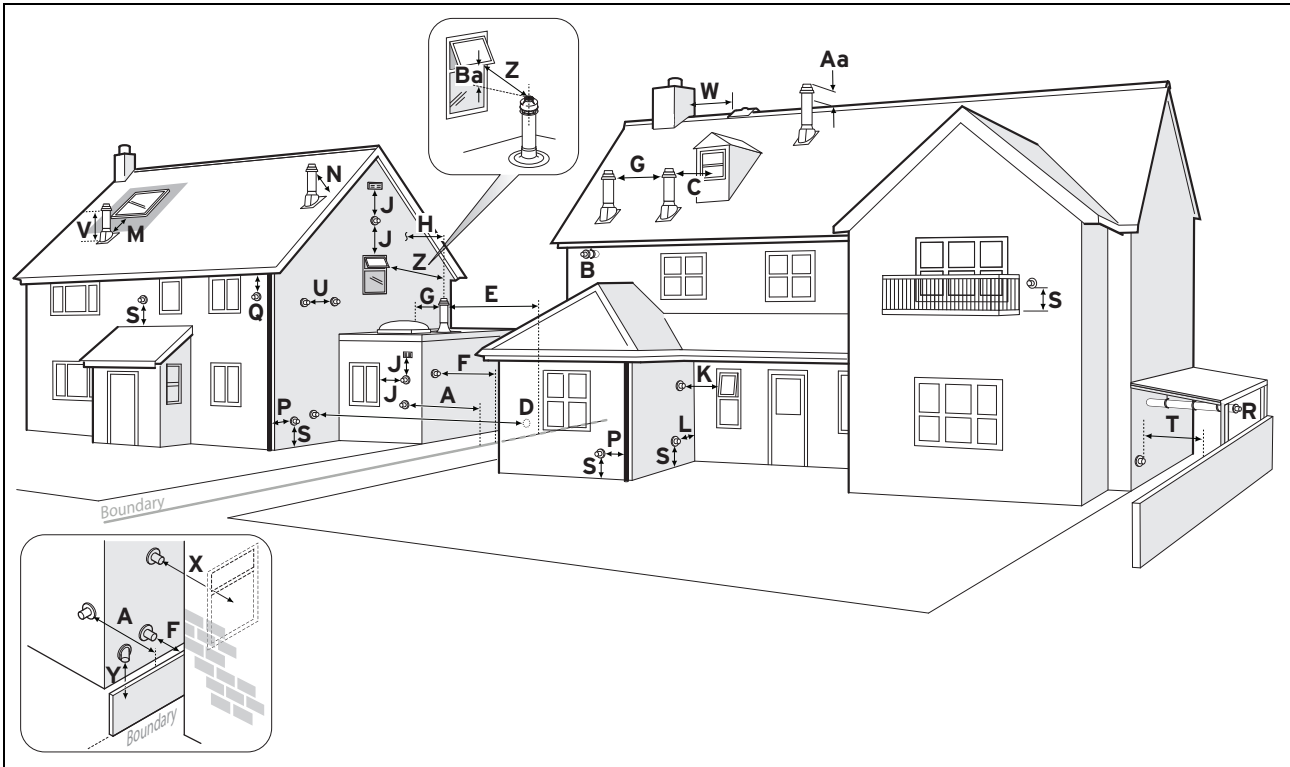
In GB the minimum acceptable siting dimensions for the terminal from obstructions, other terminals and ventilation openings are shown in diagram overleaf.

In IE the minimum distances for flue terminal positioning must be those detailed in I.S. 813 "Domestic Gas Installations".

The terminal must be exposed to the external air, allowing free passage of air across it at all times.

Being a condensing boiler some plumbing may occur from the flue outlet. This should be taken into consideration when selecting the position for the terminal.

6.6.2 Position of the air/flue terminal



6.6.2.1 Positioning the terminal of a fan-supported flue system

	Installation site	Dimensions
A	Adjacent to a boundary.	300 mm
B ¹⁾	The dimension below eaves, balconies and car ports can be reduced to this value, as long as the flue terminal is extended to clear any overhang. External flue joints must be sealed with a suitable silicon sealant.	25 mm
C	Between a vertical flue terminal and a window or dormer window on a roof.	1,500 mm
D	Between terminals facing each other.	1,200 mm
E	Vertical flue clearance, adjacent to a boundary line.	300 mm
F ²⁾	Distance to a boundary line, unless it will cause a nuisance. BS 5440:Part 1 recommends that care is taken when siting terminal in relation to boundary lines.	600 mm
G	Minimum clearance from a skylight to a vertical flue or to another vertical flue.	Min. 300 mm
H	Vertical flue clearance, to noncombustible building material. Vertical flue clearance to combustible building material.	500 mm 1,500 mm
J	Above, below and either side of an opening door, air vent or opening window.	300 mm
K	Diagonally to an opening door, air vent or opening window.	600 mm
L ²⁾	To an internal or external corner.	200 mm
M	Below a Velux window. Above or to either side of the Velux window.	2,000 mm 600 mm
N	From a pitched roof. In regions with heavy snowfall.	400 mm 500 mm
P	From vertical drain pipes and soil pipes.	25 mm
Q	Below eaves. Below gutters, pipe and drains.	200 mm 75 mm
	<p>1) There should be no ventilation/opening in the eaves within 300 mm distance of the terminal.</p> <p>2) These dimensions comply with the building regulations, but they may need to be increased to avoid wall staining and nuisance from pluming depending on site conditions.</p> <ul style="list-style-type: none"> - Terminals must be positioned so to avoid combustion products entering the building. - Support the flue at approximately one metre intervals and at a change of direction, use suitable brackets and fixings. - Installations in car ports are not recommended. - The flue cannot be lower than 1 metre from the top of a lightwell due to the build up of combustion products. - Dimensions from a flue terminal to a fanned air inlet to be determined by the ventilation equipment. 	

	Installation site	Dimensions
R	The dimension below eaves, balconies and car ports can be reduced to this value, as long as the flue terminal is extended to clear any overhang. External flue joints must be sealed with suitable silicon sealant.	25 mm
S	Above adjacent ground or balcony.	300 mm
T ²⁾	Distance to a surface facing a terminal, unless it will cause a nuisance. BS 5440: Part 1 recommends that care is taken when siting terminals in relation to surfaces facing a terminal.	600 mm
U	Clearance alongside another terminal.	300 mm
V	Above roof level.	300 mm
W	Minimum to vertical structure on roof, roof vent.	Min. 300 mm
X	Minimum to opening in adjacent building.	Min. 2000 mm
Y	Minimum at an angle to a boundary which is not less than 300 mm to the terminal	Min. 600 mm
Z	Minimum measured to the nearest corner of the OPEN window	Min. 600 mm
Aa	No more than this value above ridge.	Max. 300 mm
Ba	Not less than this value below the opening window	Min. 300 mm
	1) There should be no ventilation/opening in the eaves within 300 mm distance of the terminal. 2) These dimensions comply with the building regulations, but they may need to be increased to avoid wall staining and nuisance from pluming depending on site conditions. <ul style="list-style-type: none"> - Terminals must be positioned so to avoid combustion products entering the building. - Support the flue at approximately one metre intervals and at a change of direction, use suitable brackets and fixings. - Installations in car ports are not recommended. - The flue cannot be lower than 1 metre from the top of a lightwell due to the build up of combustion products. - Dimensions from a flue terminal to a fanned air inlet to be determined by the ventilation equipment. 	

6.6.2.2 Horizontal terminal positioning

BS 5440-1 recommends that fanned flue chimney terminals should be positioned as follows:

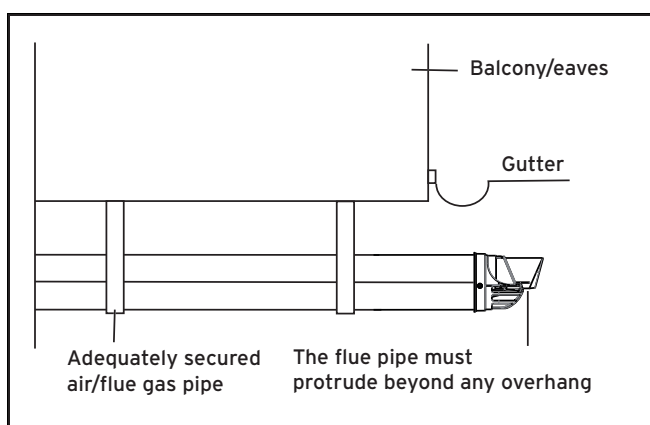
- a) at least 2 m from an opening in the building directly opposite, and
- b) so that the products of combustion are not directed to discharge directly across a boundary if the products are likely to cause a nuisance to a neighbour or discharge over a walkway or patio.

For IE see current issue of IS 813.

For boilers covered within this manual.

Dimensions B and R:

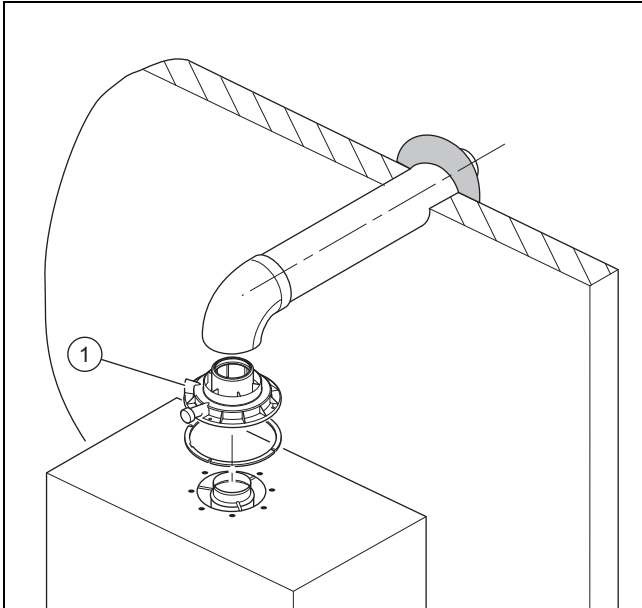
These clearances may be reduced to 25 mm without affecting the performance of the boiler. In order to ensure that the condensate plume does not affect adjacent surfaces the terminal should be extended as shown below.



You can use a plume management kit to enable the termination point to be positioned and directed away from the building fabric.

6.6.3 Flue Configuration Description

6.6.3.1 Horizontal Concentric Flue \varnothing 60/100 mm or \varnothing 80/125 mm (C13 type installation)



1 Gasket (fitted)

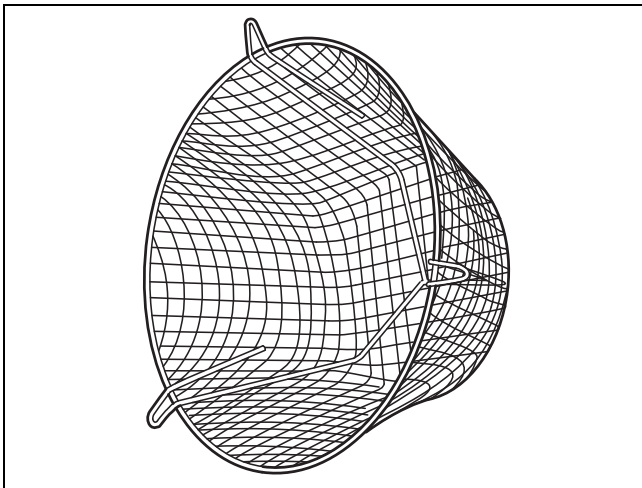


Note

If the terminal is at less than 1.80 m from the ground, you must install a terminal protection kit.

Consult the separate installation manual for air/flue gas systems supplied with your appliance for all possibilities and associated accessories and how to install the flue system.

6.6.3.2 Terminal protection

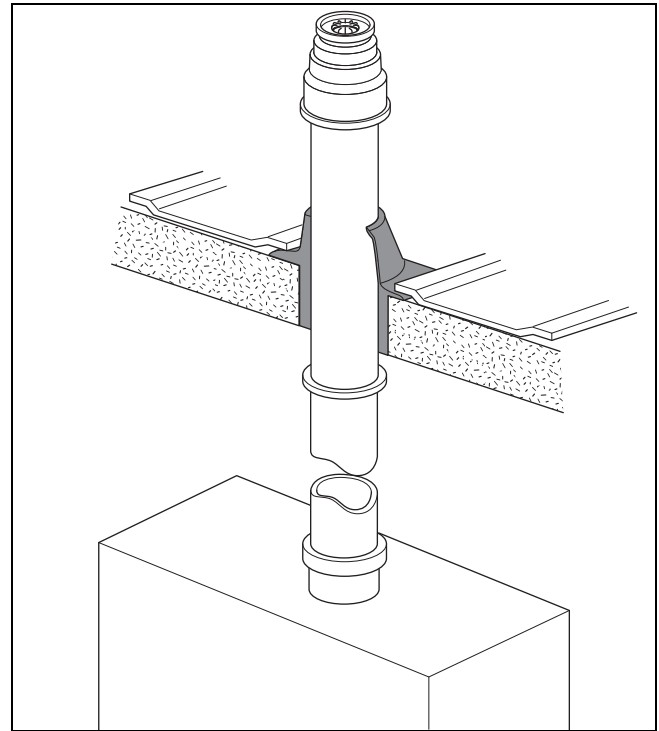


A terminal guard is required if persons could come into contact with the terminal or the terminal could be subject to damage.

If a terminal guard is required, it must be positioned to provide minimum of 50 mm clearance from any part of the terminal and be central over the terminal.

The guard should be similar to that shown in the figure.

6.6.3.3 Vertical Concentric Flue \varnothing 60/100 mm or \varnothing 80/125 mm (C33 type installation)



Consult the separate installation manual for air/flue gas systems supplied with your appliance for all possibilities and associated accessories and how to install the flue system.

6.7 Using the mounting template

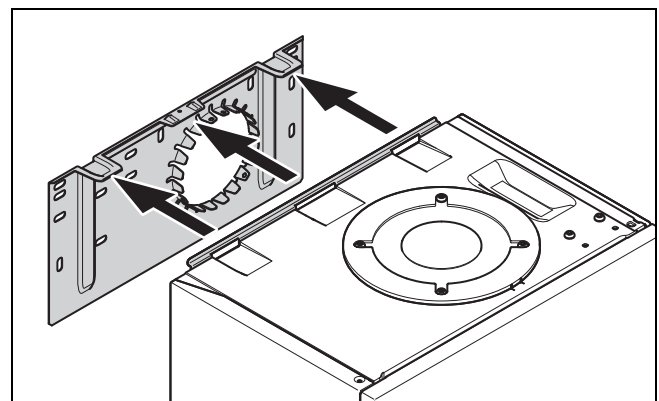
- ▶ Use the mounting template to ascertain the locations at which you need to drill holes.

6.8 Wall-mounting the product



Note

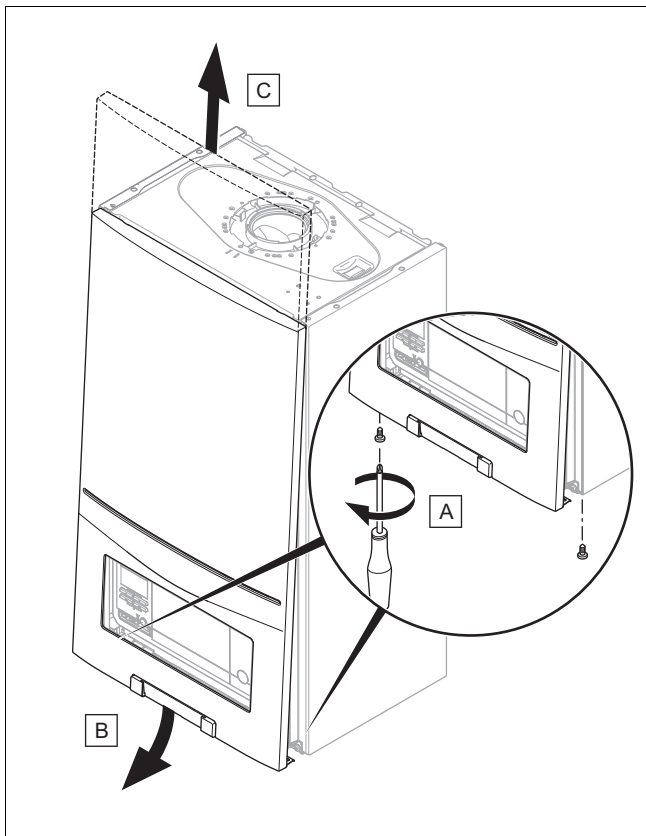
If you are using the rear air/flue connection, install the air/flue pipe before you wall-mount the product.



1. Check the load-bearing capacity of the wall.
2. Note the total weight of the product.
3. Only use fixing material that is permitted for the wall.
4. If required, ensure that mounting apparatus on-site has sufficient load-bearing capacity.
5. Wall-mount the product as described.

6.9 Removing/installing the front casing

6.9.1 Front casing, removing



6.9.2 Installing the front casing

- ▶ Refit the components in the reverse order.

6.10 Removing/installing the side section

6.10.1 Removing the side section



Caution.

Risk of material damage caused by mechanical deformation.

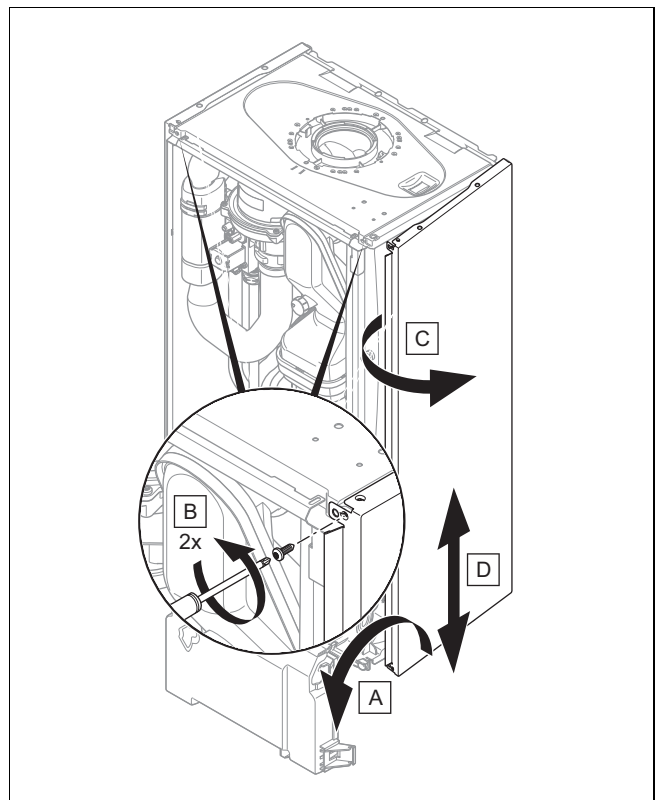
Removing **both** side sections may cause mechanical distortion in the product, which may cause damage to the piping, for example, and potentially result in leaks.

- ▶ Always only remove **one** side section – never both side sections at the same time.



Note

If there is sufficient lateral clearance (at least 70 mm), you can remove the side section to facilitate maintenance or repair work.



6.10.2 Installing the side section

- ▶ Refit the components in the reverse order.

7 Installation

7.1 Preparing for installation

- ▶ Make sure that the existing gas meter is capable of passing the rate of gas supply required.
- ▶ Consider the maximum heat output given in DHW mode.
- ▶ Install a system separator (to be provided on-site) directly on the cold water connection for the combi boiler.
- ▶ Install the following components:
 - Draining cocks at the lowest points in the heating installation (→ current version of "BS 2879")
 - A stopcock on the cold water connection
 - A stopcock in the gas pipe
- ▶ Check that the volumetric capacity of the expansion vessel is sufficient for the system volume.
 - ▽ If the volume of the expansion vessel is insufficient for the installation.
 - ▶ Install an additional expansion vessel in the heating return, as close to the product as possible.
 - ▶ Install a non-return flap at the product's outlet (heating flow).
- ▶ Install the connection pipes such that they are free from mechanical stress.
- ▶ If you use non-diffusion-tight plastic pipes in the heating installation, ensure that no air gets into the heat generator circuit.
- ▶ Only solder connectors if the connectors are not yet screwed to the service valves.
- ▶ Only bend connection pipes if they have not yet been connected to the product.
- ▶ Flush the heating installation thoroughly before installing the product.
- ▶ Check the leak-tightness of the gas valve assembly using a pressure of ≤ 11 kPa (110 mbar).

7.2 Descaling the water

Scale deposition increases as the water temperature increases.

- ▶ Descale the water as required.

7.3 Check compliance with the local gas group

The product's combustion has been factory tested and is preset for operation with the gas group indicated on the data plate.

The product is only authorised to be operated with natural gas.

- ▶ Check the information about the gas type indicated on the data plate and compare this with the gas type available at the installation site.

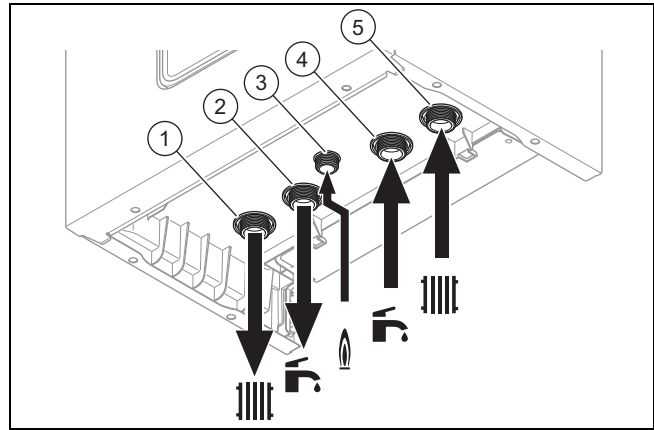
Condition: The product design **is not compatible** with the local gas group

- ▶ Do not start up the product.

Condition: The product design **is compatible** with the local gas group

- ▶ Proceed as described below.

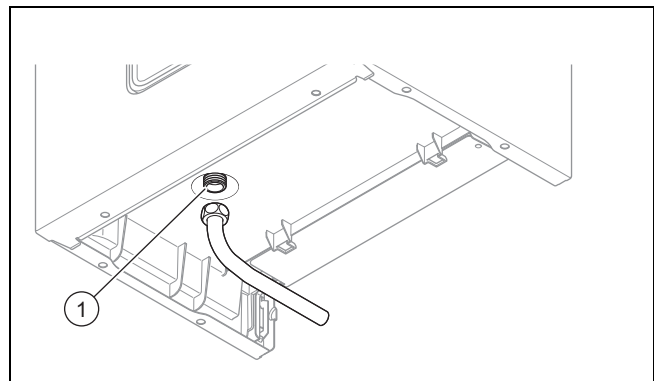
7.4 Gas and water connections



- | | | | |
|---|-------------------------------------|---|--|
| 1 | Heating flow connection, G3/4 | 4 | Connection for the cold water pipe, G3/4 |
| 2 | Domestic hot water connection, G3/4 | 5 | Heating return connection, G3/4 |
| 3 | Gas connection, G1/2 | | |

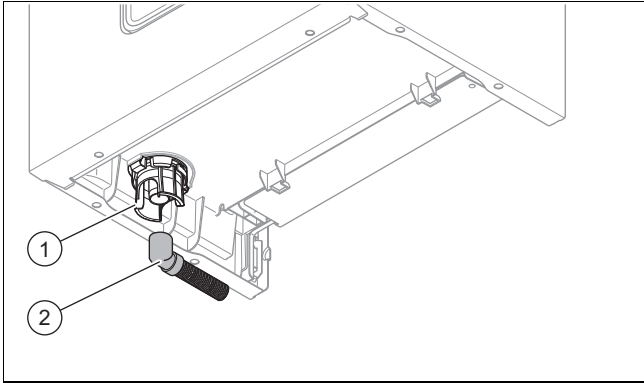
1. Connect the water and gas connections in accordance with the applicable standards.
2. Purge the gas pipe before start-up.
3. Check the entire gas pipe properly for leak-tightness.

7.5 Connecting the drain pipework for the expansion relief valve



- ▶ Ensure that the pipeline is visible.
- ▶ The pipe must have a continuous fall and be routed to a position so that any discharge of water, possibly boiling, or steam cannot create any danger to persons, damage to property or external electrical components and wiring.
 - ◁ The piping must be installed in such a way that you can see when water drips out.

7.6 Connecting the condensate discharge pipe



- ▶ Follow the instructions listed here and observe the legal and local regulations on condensate discharge.
- ▶ Use PVC or any other material that is suitable for draining the non-neutralised condensate.
- ▶ If you cannot guarantee that the materials from which the drain pipework is made are suitable, install a system for neutralising the condensate.



Note

The condensate drain pipework must have a continuous fall (45 mm per metre) and should whenever possible terminate at a suitable drain point within the heated envelope of the building that will remain frost free under long periods of low external temperatures.

- ▶ Connect the condensate traps (1). Use the supplied drain hose (2) for this.



Note

Ensure that the connection between the condensate discharge pipe and the drain hose is not air-tight.

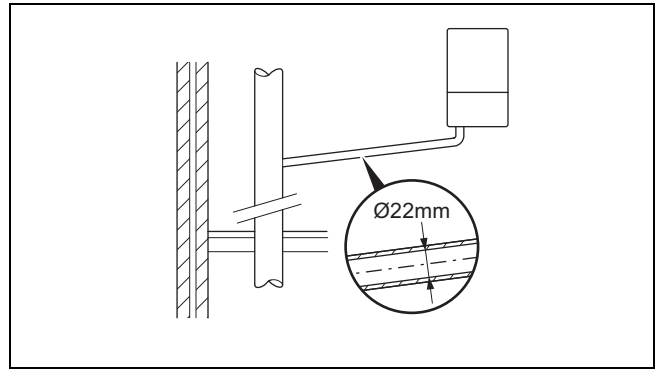
- ▶ Connect a condensate discharge pipe (21.5 mm, not included in the scope of delivery) to the drain hose (2).
- ▶ During installation remove all burrs from inside of cut pipe work and avoid excessive adhesive which may trap small pockets of water close to the pipe wall which can freeze and build into a larger ice plug.
- ▶ For any installation the condensate must be free flowing and not be possible for air back-pressure to prevent water flow.
- ▶ As with other pipe work insulate the condensate discharge pipe to minimise any risk of freezing and beware when crossing cavities that the fall is maintained and the pipe sleeved.

You can find further information in specification "BS 6798" for installing and maintaining gas-fired boilers with a nominal heat input below 70 kW.

7.6.1 Condensate discharge systems

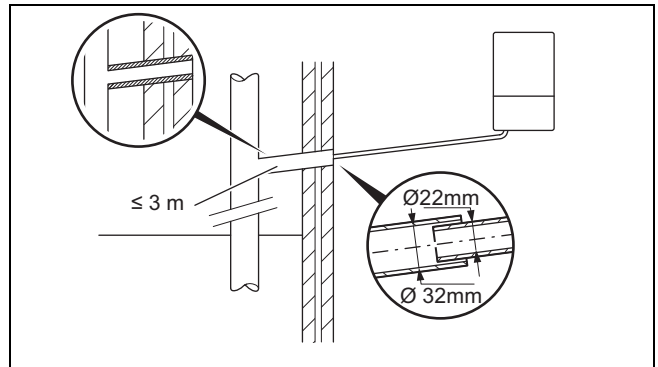
It is not necessary to provide extra traps in the discharge pipe as there is already a trap inside the boiler. Fitting an extra trap may cause the boiler siphon to work incorrectly. Refer to BS5546 or BS6798 for further advice on disposal of boiler condensate.

7.6.1.1 Direct Connection to internal soil and vent stack

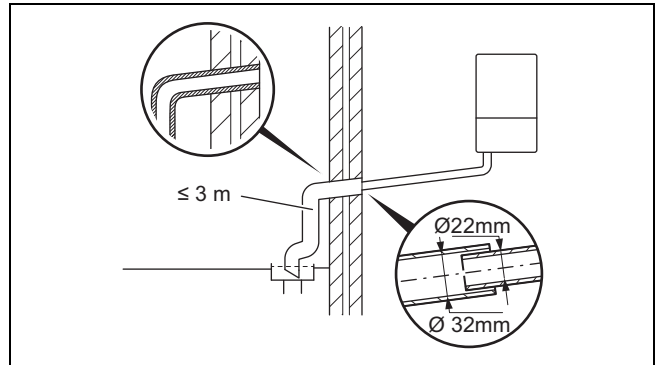


Preferred option

7.6.1.2 Direct connection to external soil and vent stack

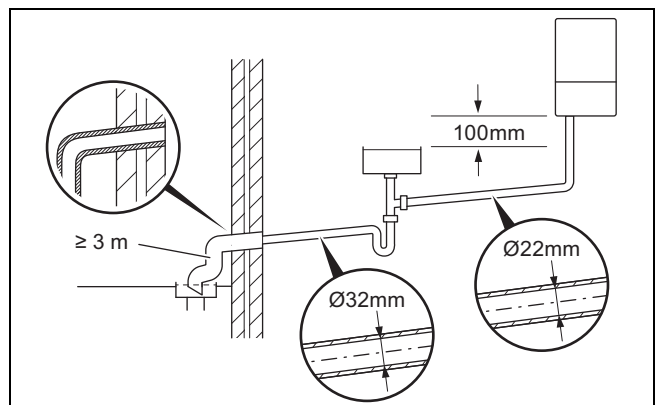


7.6.1.3 External termination to gully or hopper



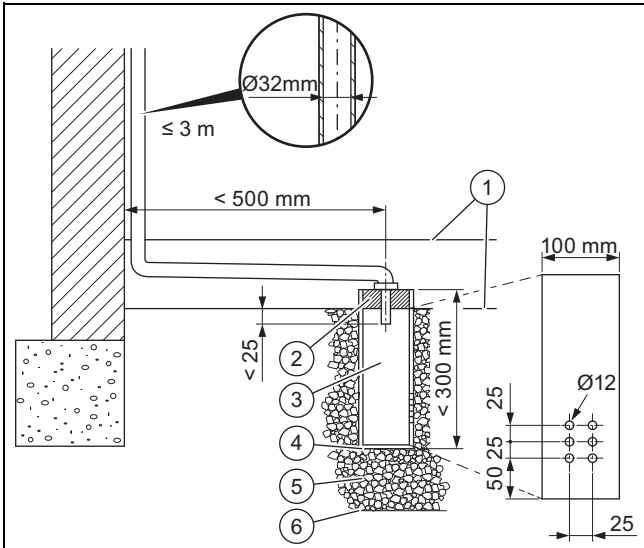
Best practice

7.6.1.4 Internal termination into combined sink waste



Preferred option for external termination

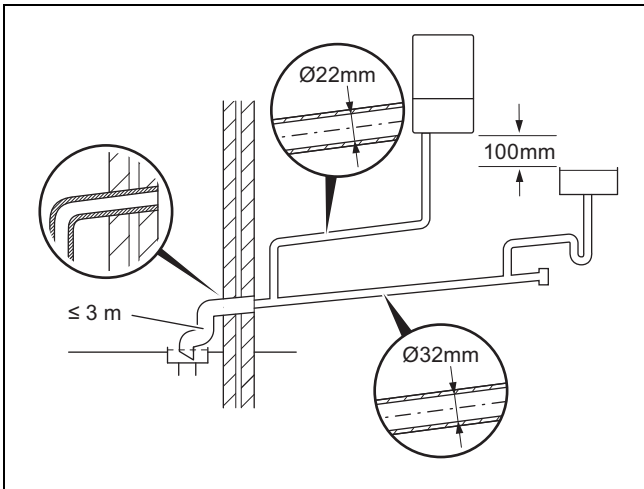
7.6.1.5 External termination into soakaway



- | | | | |
|---|----------------------------------|---|------------------------------|
| 1 | Ground (either/or) | 4 | Bottom of sealed tube |
| 2 | Seal | 5 | Limestone chippings |
| 3 | Plastic tube,
100 mm diameter | 6 | Hole depth 400 mm
minimum |

Least preferred option, must not terminate in rain water drain

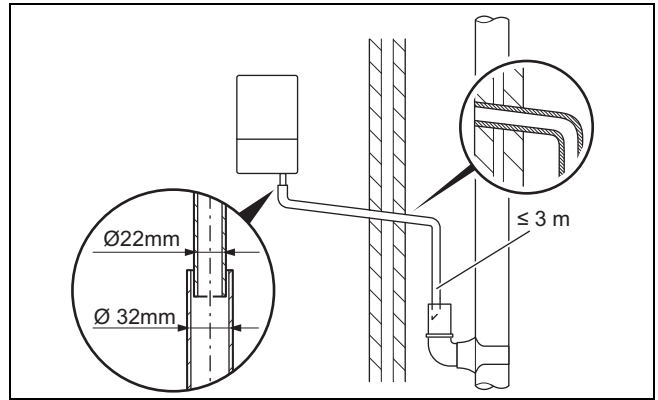
7.6.1.6 Internal termination downstream of sink waste



Open end of pipe direct into gully below ground level but above water level

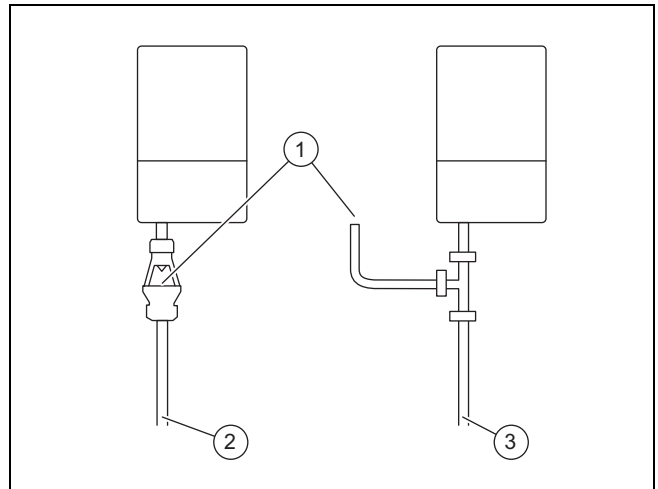
Susceptible to siphonage, must terminate in a gully

7.6.1.7 External termination into rain water down pipe



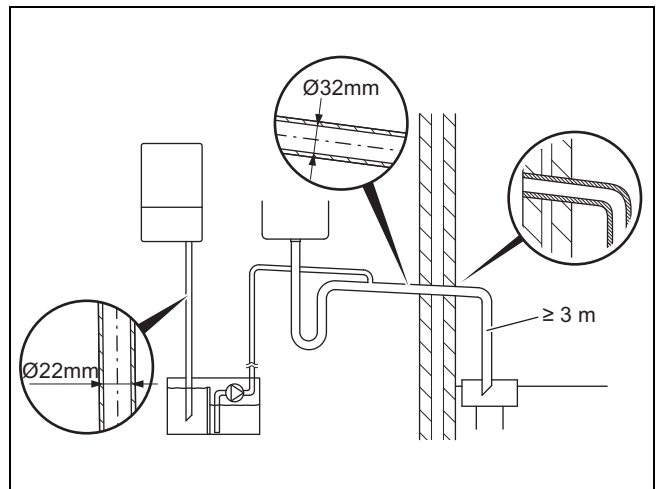
NB only combined foul/rainwater drain

7.6.1.8 Additional methods of introducing air breaks



- | | | | |
|---|-----------------|---|--------------|
| 1 | Air break | 3 | Using a pipe |
| 2 | Using a tundish | | |

7.6.1.9 Connection of condensate pump



Preferred option for external connection

7.7 Flue installation

7.7.1 Installing and connecting the air/flue pipe

1. You can find out which air/flue pipes may be used by consulting the enclosed set-up instructions for the air/flue system.
2. Observe the information on positioning the air/flue terminal.

Condition: Installation in damp rooms

- ▶ You must connect the product to a room-sealed air/flue system. The combustion air must not be taken from the installation site.
3. Install the air/flue pipe using the set-up instructions.

7.8 Electrical installation

Only qualified electricians may carry out the electrical installation.

The product must be earthed.



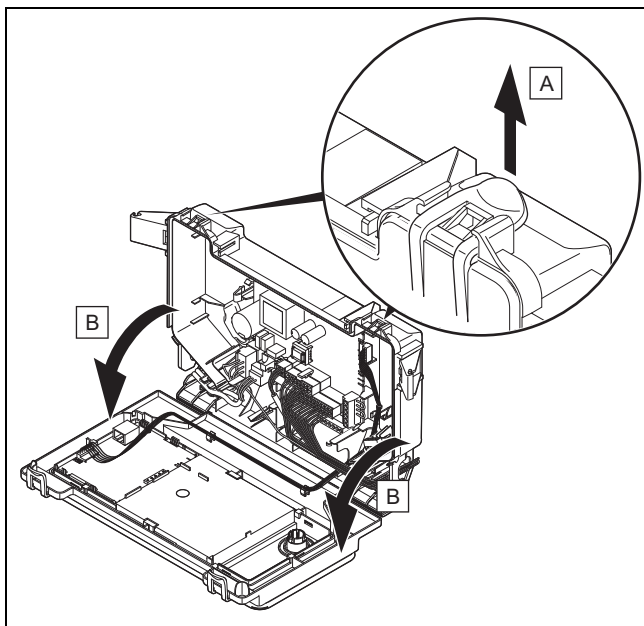
Danger!

Risk of death from electric shock!

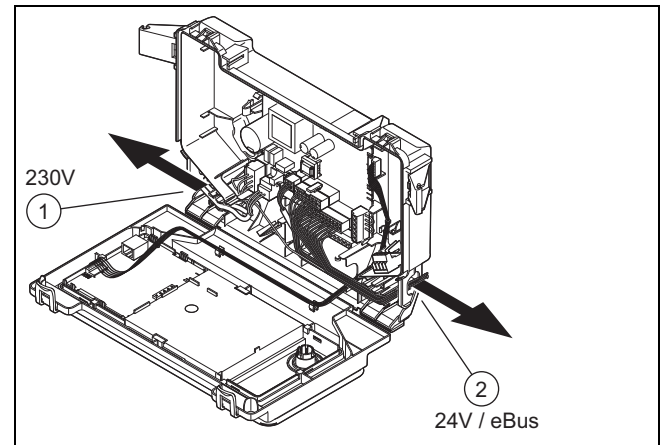
Continuous voltage is present at power supply terminals L and N even when the unit is switched off using the standby button.

- ▶ Switch off the power supply.
- ▶ Secure the power supply against being switched on again.

7.8.1 Opening the electronics box



7.8.2 Cable route



1 230-V cable route

2 24-V cable or eBUS cable route

7.8.3 General information about connecting cables



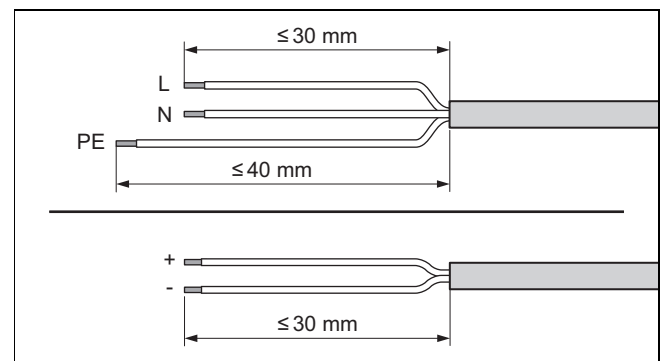
Caution.

Risk of material damage caused by incorrect installation.

Mains voltage at incorrect terminals and plug terminals may destroy the electronics.

- ▶ Do not connect any mains voltage to the eBUS (+/-) and RT 24 V terminals.
- ▶ Only connect the connection cable to the terminals marked for the purpose.

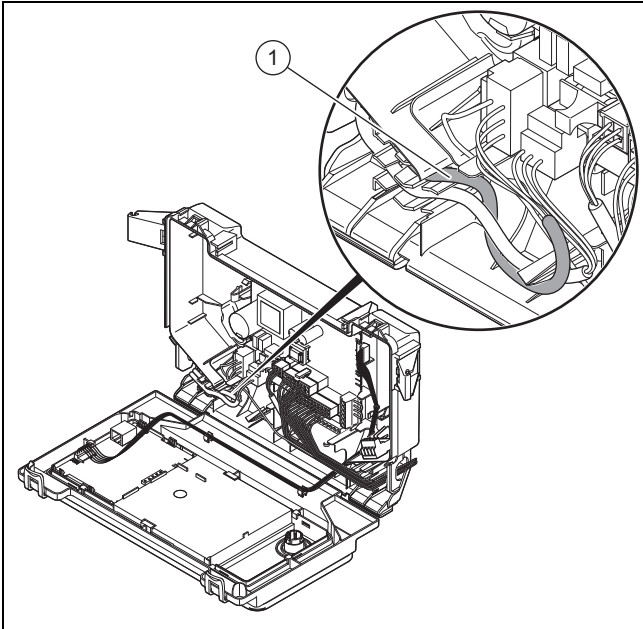
1. Route the connection cables of the components to be connected through the grommet provided on the underside of the product on the left.
2. Ensure that the grommet is plugged in correctly and that the cables have been routed correctly.
3. Ensure that the grommets envelop the connection cables tightly and with no visible gaps.
4. Use strain reliefs.
5. If required, shorten the connection cables.



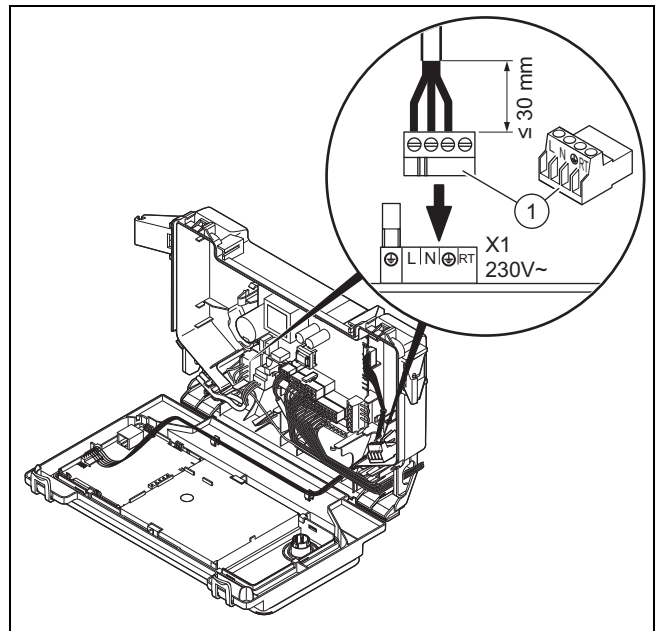
6. Strip the flexible cables as shown in the figure. In doing so, ensure that the insulation on the individual conductors is not damaged.
7. Only strip inner conductors just enough to establish stable connections.
8. To avoid short circuits resulting from loose individual wires, fit conductor end sleeves on the stripped ends of the conductors.

9. Screw the respective plug to the connection cable.
10. Check whether all conductors are inserted mechanically securely in the terminals of the plug. Remedy this if necessary.
11. Plug the plug into the associated PCB slot.
 - In doing so, observe the wiring diagram in the appendix.

7.8.4 Establishing the power supply

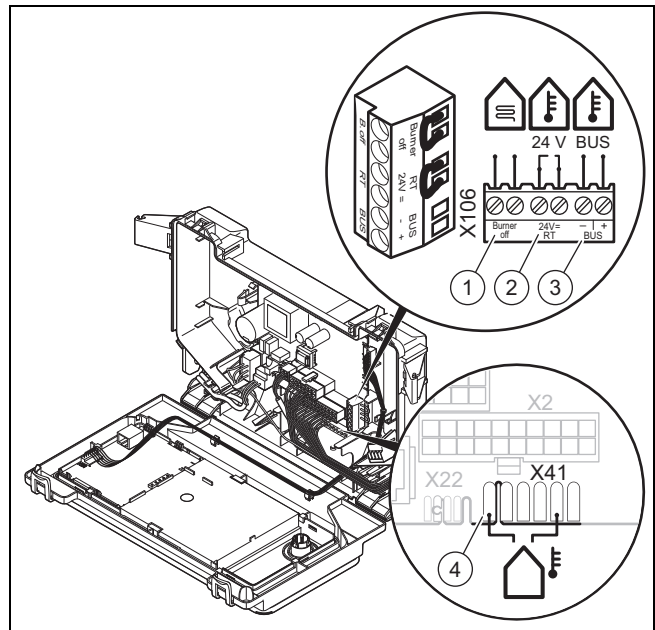


1. Observe all valid regulations.
2. Ensure that the nominal mains voltage is 230 V.
3. Do not interrupt the mains supply with a time switch or programmer.
4. Set up a fixed connection and install a partition with a contact gap of at least 3 mm (e.g. fuses or power switches).
5. Isolation should preferably be by a double pole switched fused spur box having a minimum contact separation of 3mm on each pole. The fused spur box should be readily accessible and preferably adjacent to the boiler. It should be identified as to its use.
6. Provide one common power supply for the boiler and for the corresponding control:
 - Power supply: Single-phase, 230 V, 50 Hz
 - Fuse protection: ≤ 3 A
7. Open the electronics box. (→ Page 20)
8. Observe the routing of the power supply cable (1) in the electronics box in order to guarantee that there is no strain.



9. Connect the cables. (→ Page 20)
10. Close the electronics box.
11. Make sure that access to the power supply is always available and is not covered or blocked.

7.8.5 Connecting controls to the electronics



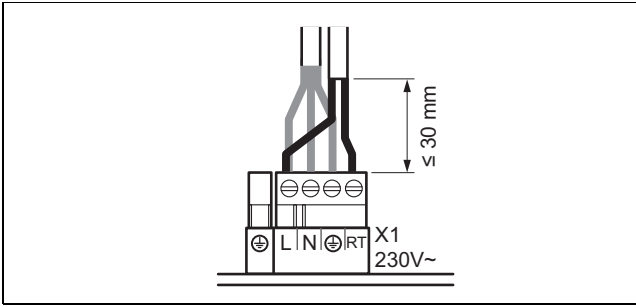
- | | |
|--|---------------------------------------|
| 1 Safety thermostat for underfloor heating | 3 eBUS control or radio receiver unit |
| 2 24 V control | 4 Outdoor temperature sensor, wired |

1. Ensure that the product is voltage-free.
2. Connect the cables. (→ Page 20)
3. Connect the individual components depending on the installation type.

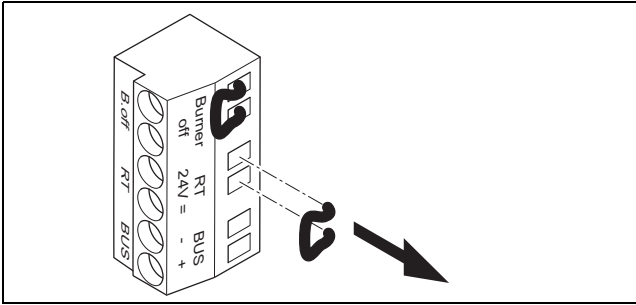
Condition: If installing a multi-circuit control.

- ▶ Change the pump mode **d.18** from Eco (intermittent pump operation) to Comfort (continuous pump operation).

Condition: When connecting a control (230 V).



- ▶ Connect the control to the main plug.



- ▶ Remove the bridge from the 24V=RT plug.
4. Close the electronics box.

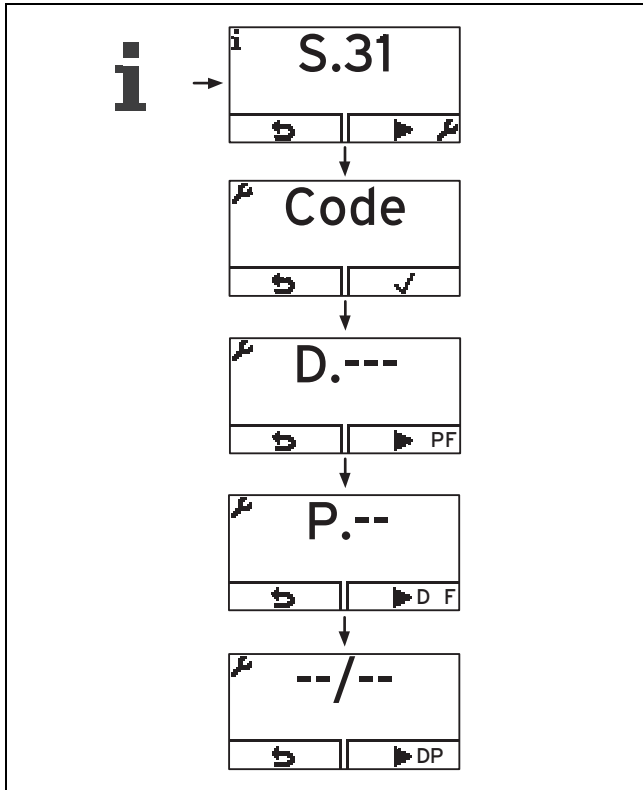
8 Operation

8.1 Operating concept

The operating concept and the display and setting facilities of the operator level are described in the operating instructions.

An overview of the display and setting options in the installer level can be found in the section "Overview of the installer level". (→ Page 23)

8.2 Installer level overview



8.3 Calling up the installer level

1. Only call up the installer level if you are a competent person.
2. Press and ("i") at the same time.
 - ◁ **S.xx** appears in the display (current unit status).
3. Press to access the installer level.
 - ◁ **Code** and **--** appear in the display.
4. Set the value **17** (code) and confirm by pressing .
5. Press to access the check programmes (**P**) and the fault codes (**F**) and to return to the diagnostics codes (**D**).
6. Use or to set the required value and confirm by pressing .
7. Confirm by pressing .
8. Press to cancel a setting or exit the installer level.

8.4 Live Monitor (status codes)

Menu → Live monitor

Status codes in the display provide information on the product's current operating status.

Status codes – Overview (→ Page 43)

8.5 Setting the hot water temperature



Danger!

Risk of death from legionella.

Legionella multiply at temperatures below 60 °C.

- ▶ Ensure that the end user is familiar with all of the Anti-legionella measures in order to comply with the applicable regulations regarding legionella prevention.

- ▶ Set the hot water temperature.

Condition: Water hardness: > 3.57 mol/m³

- Water temperature: ≤ 50 °C

8.6 Using check programmes

Call up the installer level + 1 x

Display	Meaning
P.00	<p>Purging check programme: The internal pump is cyclically actuated. The heating circuit and the hot water circuit are purged via the automatic air vent (the cap of the automatic air vent must be released).</p> <p>1 x : Start heating circuit purging 2 x (→): Start domestic hot water circuit purging 3 x (← →): Restart heating circuit purging 1 x (Cancel): End purge programme</p> <p>Note The purge programme runs for 7.5 min per circuit and then terminates. Purging the heating circuit: Prioritising diverter valve in heating position, actuation of internal pump for 9 cycles: 30 sec. on, 20 sec. off. Display: Active heating circuit. Purging the hot water circuit: After the above-mentioned cycles have run or the right-hand selection button has been pressed again: Prioritising diverter valve in the domestic hot water position, actuation of the internal pump as above. Display: Active hot water circuit.</p>
P.01	<p>Maximum load check programme: After successful ignition, the product is operated at maximum heat input.</p>
P.02	<p>Minimum load check programme: After successful ignition, the product is operated at minimum heat input.</p>
P.06	<p>Filling mode check programme: The prioritising diverter valve is moved to the mid-position. The burner and pump are switched off (to fill or drain the product).</p>

9 Start-up

9.1 Carrying out the initial start-up

Initial start-up must be carried out by a customer service technician or an authorised competent person using the benchmark checklist. The benchmark checklist in the appendix (→ Page 48) of the installation instructions must be filled out and stored carefully along with the unit's documentation.

- ▶ Carry out the initial start-up using the benchmark checklist in the appendix.
- ▶ Fill out and sign the benchmark checklist.

9.2 Checking and treating the heating water/filling and supplementary water



Caution.

Risk of material damage due to poor-quality heating water

- ▶ Ensure that the heating water is of sufficient quality.

- ▶ Before filling or topping up the installation, check the quality of the heating water.

Checking the quality of the heating water

- ▶ Remove a little water from the heating circuit.
- ▶ Check the appearance of the heating water.
- ▶ If you ascertain that it contains sedimentary materials, you must desludge the installation.
- ▶ Use a magnetic rod to check whether it contains magnetite (iron oxide).
- ▶ If you ascertain that it contains magnetite, clean the installation and apply suitable corrosion-inhibition measures, or fit a magnetic filter.
- ▶ Check the pH value of the removed water at 25 °C.
- ▶ If the value is below 6.5 or above 8.5, clean the installation and treat the heating water.
- ▶ Ensure that oxygen cannot get into the heating water.

Checking the filling and supplementary water

- ▶ Before filling the installation, measure the hardness of the filling and supplementary water.

Treating the filling and supplementary water

- ▶ Observe all applicable national regulations and technical rules when treating the filling and supplementary water.

Provided the national regulations and technical rules do not stipulate more stringent requirements, the following applies:

You must treat the heating water in the following cases

- If the entire filling and supplementary water quantity during the operating life of the system exceeds three times the nominal volume of the heating installation, or
- If the guideline values listed in the following table are not met, or
- If the pH value of the heating water is less than 6.5 or more than 8.5.

Total heating output	Water hardness at specific system volume ¹⁾					
	≤ 20 l/kW		> 20 l/kW ≤ 50 l/kW		> 50 l/kW	
kW	ppm CaCO ₃	mol/m ³	ppm CaCO ₃	mol/m ³	ppm CaCO ₃	mol/m ³
< 50	< 300	< 3	200	2	2	0.02
> 50 to ≤ 200	200	2	150	1.5	2	0.02
> 200 to ≤ 600	150	1.5	2	0.02	2	0.02
> 600	2	0.02	2	0.02	2	0.02

1) Nominal capacity in litres/heating output; in the case of multi-boiler systems, the smallest single heating output is to be used.



Caution.

The use of unsuitable heating water may cause aluminium corrosion and a resulting lack of leak-tightness.

In contrast to steel, grey cast iron or copper, for example, aluminium reacts with alkaline heating water (pH value > 8.5) to produce substantial corrosion.

- ▶ When using aluminium, make sure that the pH value of the heating water is between 6.5 and a maximum of 8.5.



Caution.

Risk of material damage if the heating water is treated with unsuitable additives.

Unsuitable additives may cause changes in the components, noises in heating mode and possibly subsequent damage.

- ▶ Do not use any unsuitable antifreeze and corrosion inhibitors, biocides or sealants.

No incompatibility with our products has been detected to date with proper use of the following additives.

- ▶ When using additives, follow the manufacturer's instructions without exception.

We accept no liability for the compatibility of any additive or its effectiveness in the rest of the heating system.

Additives for cleaning measures (subsequent flushing required)

- Adey MC3+
- Adey MC5
- Fernox F3
- Sentinel X 300
- Sentinel X 400

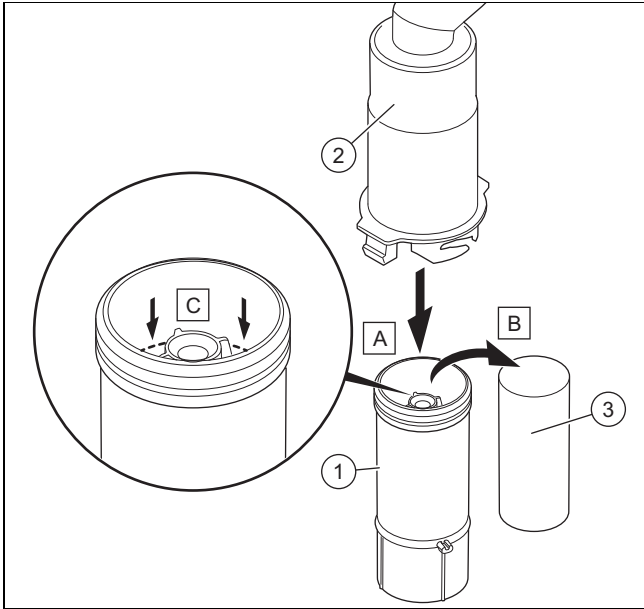
Additives intended to remain permanently in the installation

- Adey MC1+
- Fernox F1
- Fernox F2
- Sentinel X 100
- Sentinel X 200

Additives for frost protection intended to remain permanently in the installation

- Adey MC ZERO
 - Fernox Antifreeze Alpha 11
 - Sentinel X 500
- If you have used the above-mentioned additives, inform the end user about the measures that are required.
- Inform the end user about the measures required for frost protection.

9.3 Filling the condensate trap



1. Unclip the lower section of the condensate trap (1) from the upper section of the condensate trap (2).
2. Remove the float (3).
3. Fill the lower section of the condensate trap with water up to 10 mm below the upper edge of the condensate discharge pipe.
4. Re-insert the float (3).



Note

Check that the float is present in the condensate trap.

5. Clip the lower section of the condensate trap (1) into the upper section of the condensate trap (2).

9.4 Switching on the product

- Switch on the product via the main switch installed on-site.

9.5 Avoiding danger arising from insufficient water pressure

The filling pressure must be between 0.10 and 0.15 MPa (1.0 and 1.5 bar).

If the heating installation extends over several storeys, higher filling pressures may be required to avoid air entering the heating installation.

If the water pressure falls below 0.05 MPa (0.5 bar), the value flashes in the display.

If the water pressure falls below 0.03 MPa (0.3 bar), the product switches off. The display shows 0.0 MPa (0.0 bar). Fault **F.22** is stored in the fault list.

- Top up the water in the heating installation to start up the product again.
- ◁ The pressure value flashes in the display until a pressure of 0.05 MPa (0.5 bar) or higher has been reached.

9.6 Flushing the heating installation for the first time ("cold")



Note

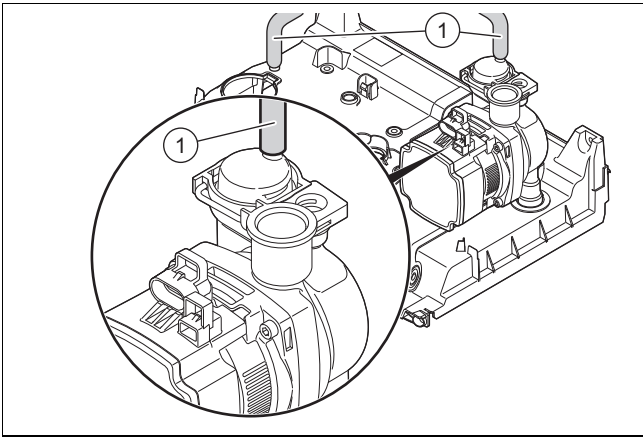
The complete heating system must be flushed at least twice: Once with cold water and once with hot water in accordance with the following instructions.

1. Check whether all thermostatic radiator valves and both service valves on the product are open.
2. Connect a hose to the drain valve that is located at the lowest position in the heating system.
3. Open the radiator valves and the drain valves so that the water can drain quickly. Start at the next point in the installation and open the purging valves on the radiators so that the contaminated water can completely drain.
4. Close the draining cocks.
5. Refill the heating system with water.
6. Check that the expansion relief valve of the heating system is functioning correctly by turning the handle on the valve.
7. Check the pressure in the heating system and top up with water if necessary.
8. Close the filling valve and the cold water tap.

9.7 Filling and purging the heating installation

Preliminary work

- Flush the heating installation through.



1. Check the silicone hose connection (1) between the pump's automatic air vent and the hydraulic console.
2. Fill with water until the required filling pressure is reached.
 - Recommended filling pressure: 1 to 1.5 bar
 - ◁ The heating and domestic hot water functions cannot be activated.
 - ◁ The pressure value flashes in the display until a pressure of 0.05 MPa (0.5 bar) or higher has been reached.
 - ◁ An automatic air vent function is activated if the pressure exceeds 0.05 MPa (0.5 bar) for longer than 15 seconds.
3. Purge each radiator until the water escapes normally, and then retighten the installation's purging valves.
4. Check that all connections are leak-tight.

Condition: If the noise persists in the boiler

- ▶ Purge the product again by activating check programme **P.00**.

9.8 Filling the domestic hot water circuit

1. Open the water tap to fill the domestic hot water circuit.
2. Close the water tap once the appropriate volume of water has flowed out.
 - ◁ The domestic hot water circuit is filled.
3. Check all connections and the entire system for leak-tightness.

9.9 Checking the gas setting

Only a qualified competent person is authorised to implement the settings on the gas valve assembly.

Each destroyed seal must be replaced.

The CO₂ adjusting screw must be sealed.

Never modify the factory setting of the gas pressure regulator of the gas valve assembly.

9.9.1 Checking the air/flue pipe/flue gas recirculation

1. Check the flue gas installation is intact in accordance with the latest gas safe technical bulletin and information supplied in the installation instructions.
2. For extended flue gas installations check for flue gas recirculation using the air analysis point.
3. Use a flue gas analyser.

4. If you discover unusual levels of CO or CO₂ in the supply air, search for the leak in the flue system or for signs of flue gas recirculation.
5. Eliminate the damage properly.
6. Check again whether the supply air contains any unusual levels of CO or CO₂.
7. If you cannot eliminate the damage, do not start up the product.

9.9.2 Checking the gas flow rate

The gas flow rate has been set during production and does not require adjustment. With the front casing fitted check the gas flow rate of the boiler as follows:

- ▶ Start up the product with the check programme **P.01**.
- ▶ In addition, ensure that maximum heat can be dissipated into the heating system by turning up the room thermostat.
- ▶ Wait at least 5 minutes until the boiler has reached its operating temperature.
- ▶ Ensure that all other gas appliances in the property are turned off.
- ▶ Measure the gas flow rate at the gas meter.
- ▶ Compare the measured values with the corresponding values in the table.

Q _{nw} from the data plate	H gas in m ³ /h		
	Nom.	+5%	-10%
15.3	1.62	1.70	1.46
18.4	1.95	2.05	1.76
24.7	2.61	2.74	2.35
25.7	2.72	2.86	2.45
28.6	3.03	3.18	2.73
30.6	3.24	3.40	2.92
35.7	3.78	3.97	3.40

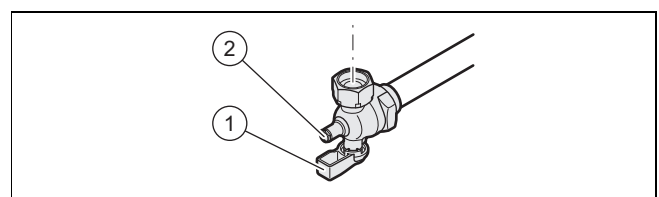
Condition: Gas flow rate not in the permissible range

- ▶ Check all of the piping and ensure that the gas flow rates are correct.
- ▶ Only put the product into operation once the gas flow rates have been corrected.

Condition: Gas flow rate in the permissible range

- ▶ End the check programme **P.01**.
- ▶ Allow the boiler to cool down by allowing pump overrun to operate for a minimum of 2 minutes.
- ▶ Record the boiler maximum gas flow rate onto the Benchmark gas boiler commissioning checklist.

9.9.3 Checking the gas connection pressure (gas flow pressure)



1. Ensure that the gas inlet working pressure can be obtained with all other gas appliances in the property working.
2. Close the gas stopcock (1).

3. Undo the sealing screw on the test nipple (2).
4. Connect a manometer to the test nipple (2).
5. Open the gas stopcock (1).
6. Start up the product with check programme P.01 (installation with eBUS control).
7. In addition, ensure that maximum heat can be dissipated by fully opening one or more hot water taps.
8. With the boiler operating at full load check that the gas inlet working pressure at the reference test point (2) complies with the requirements.

Permissible gas flow pressure for operation with	
Natural gas H	1.3 to 2.3 kPa (13.0 to 23.0 mbar)

9. Should the pressure recorded at the reference test point in the boiler be lower than indicated check if there is any blockage in the pipework or if the pipework is undersized.

Condition: Gas flow pressure **not** in the permissible range



Caution.

Risk of material damage and operating faults caused by incorrect gas connection pressure.

If the gas connection pressure lies outside the permissible range, this can cause operating faults in and damage to the product.

- ▶ Do not make any adjustments to the product.
- ▶ Do not start up the product.

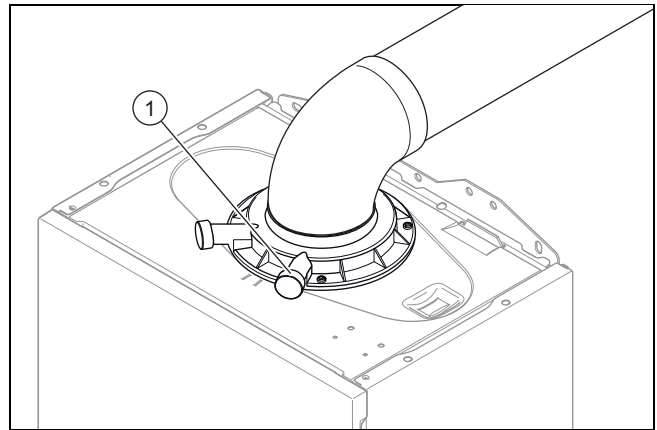
- ▶ If you cannot correct the failure, notify the gas supply company and proceed as follows:
- ▶ End check programme P.01.
- ▶ Allow the boiler to cool down by allowing pump overrun to operate for a minimum of two minutes.
- ▶ Close the gas stopcock.
- ▶ Remove the pressure gauge and retighten the sealing screw (2) for the measuring nipple.
- ▶ Open the gas stopcock (1).
- ▶ Check the test nipple for gas tightness.
- ▶ Close the gas stopcock (1).
- ▶ Install the front casing. (→ Page 16)
- ▶ Disconnect the product from the electrical installation.
- ▶ You must not start up the boiler.

Condition: Gas flow pressure **in the** permissible range

- ▶ End the check programme P.01.
- ▶ Allow the boiler to cool down allowing pump overrun to operate for a minimum of two minutes.
- ▶ Close the gas stopcock (1).
- ▶ Remove the pressure gauge and retighten the sealing screw (2) for the measuring nipple.
- ▶ Open the gas stopcock (1).
- ▶ Check the test nipple for gas tightness.
- ▶ Install the front casing. (→ Page 16)
- ▶ Reset boiler controls for normal operation.
- ▶ Record the appliance gas inlet working pressure (kPa resp. mbar) in the Benchmark gas boiler commissioning checklist.

9.9.4 Checking the CO₂ content

1. Start up the product with check programme (P.01).
2. Wait until the value that is read is stable.
 - Waiting period for reading a stable value: 5 min



3. Unscrew the cover from the flue gas analysis point (1).
4. Measure the CO₂ content at the flue gas analysis point (1).
5. Compare the measured value with the corresponding value in the table.

Checking the CO ₂ content	Removed front casing	Fitted front casing
	Natural gas H	Natural gas H
CO ₂ at full load	9.0 ± 1.0 vol. %	9.2 ± 1.0 vol. %
CO at full load	≤ 250 ppm	≤ 250 ppm
CO/CO ₂	≤ 0.0031	≤ 0.0031

- ◁ The value is OK.
- ▽ The value is not OK; you cannot start up the product.
 - ▶ Inform Customer Service.

9.10 Thoroughly flushing the heating installation ("hot")

1. Operate the appliance until the boiler and the heating system are up to temperature.
2. Check the heating system for leaks.
3. Connect a hose to the drain valve located at the lowest position of the heating system.
4. Shut off the boiler, open the drain valve and all purge valves on the radiators and allow the water to flow out of the heating system and the boiler quickly and fully.
5. Close the drain valve.
6. Fill and purge the heating installation. (→ Page 25)
7. Re-fill the system until the system design pressure of 0,1 MPa (1,0 bar) is attained.



Note

The actual reading on the digital pressure gauge should ideally be 0,05 MPa (0,5 bar) plus an additional pressure corresponding to the highest point of the system above the base of the boiler – 10 m head equals an additional 1 bar reading on the pressure gauge. The minimum pressure should not be less than 0,1 MPa (1 bar) in any installation. If the system is to be treated with an inhibitor it should be applied at this stage in accordance with the manufacturer's instructions.

8. Install the front casing. (→ Page 16)

9.11 Checking leak-tightness

- ▶ Check the gas pipe, the heating circuit and the hot water circuit for leak-tightness.
- ▶ Check that the air/flue pipe has been installed correctly.

Condition: Room-sealed operation

- ▶ Check whether the vacuum chamber has been closed tightly.

9.11.1 Checking the heating mode

1. Activate the heating mode on the user interface.
2. Turn all thermostatic valves on the radiators until they are fully open.
3. Allow the product to operate for at least 15 minutes.
4. Fill and purge the heating installation. (→ Page 25)
5. Call up the status codes. (→ Page 23)
Status codes – Overview (→ Page 43)
 - ◀ If the product is working correctly, the display shows **S.04**.

9.11.2 Checking the hot water generation

1. Activate the hot water handling mode on the user interface.
2. Open a hot water valve completely.
3. Call up the status codes. (→ Page 23)
Status codes – Overview (→ Page 43)
 - ◀ If the product is working correctly, the display shows **S.14**.

10 Adapting the unit to the heating installation



You can reset/change the system parameters.

Overview of diagnostics codes (→ Page 39)

10.1 Setting the burner anti-cycling time

To prevent frequent switching on and off of the burner and thus prevent energy losses, an electronic restart lockout is activated for a specific period each time the burner is switched off. The burner anti-cycling time is only active for the heating mode. Domestic hot water mode during a burner anti-cycling time does not affect the timing element.

10.1.1 Setting the burner anti-cycling time

1. Navigate to diagnostics code **D.002** in the installer level and confirm by pressing .
2. Set the burner anti-cycling time and confirm by pressing .

T _{Flow} (target) [°C]	Set maximum burner anti-cycling time [min]						
	1	5	10	15	20	25	30
30	2.0	4.0	8.5	12.5	16.5	20.5	25.0
35	2.0	4.0	7.5	11.0	15.0	18.5	22.0
40	2.0	3.5	6.5	10.0	13.0	16.5	19.5
45	2.0	3.0	6.0	8.5	11.5	14.0	17.0

T _{Flow} (target) [°C]	Set maximum burner anti-cycling time [min]						
	1	5	10	15	20	25	30
50	2.0	3.0	5.0	7.5	9.5	12.0	14.0
55	2.0	2.5	4.5	6.0	8.0	10.0	11.5
60	2.0	2.0	3.5	5.0	6.0	7.5	9.0
65	2.0	1.5	2.5	3.5	4.5	5.5	6.5
70	2.0	1.5	2.0	2.5	2.5	3.0	3.5
75	2.0	1.0	1.0	1.0	1.0	1.0	1.0

T _{Flow} (target) [°C]	Set maximum burner anti-cycling time [min]					
	35	40	45	50	55	60
30	29.0	33.0	37.0	41.0	45.0	49.5
35	25.5	29.5	33.0	36.5	40.5	44.0
40	22.5	26.0	29.0	32.0	35.5	38.5
45	19.5	22.5	25.0	27.5	30.5	33.0
50	16.5	18.5	21.0	23.5	25.5	28.0
55	13.5	15.0	17.0	19.0	20.5	22.5
60	10.5	11.5	13.0	14.5	15.5	17.0
65	7.0	8.0	9.0	10.0	11.0	11.5
70	4.0	4.5	5.0	5.5	6.0	6.5
75	1.0	1.0	1.0	1.0	1.0	1.0

10.1.2 Resetting the remaining burner anti-cycling time

- ▶ Press .

10.2 Setting the pump output

The product is equipped with a speed-regulated high-efficiency pump, which adjusts independently to the hydraulic conditions of the heating installation.

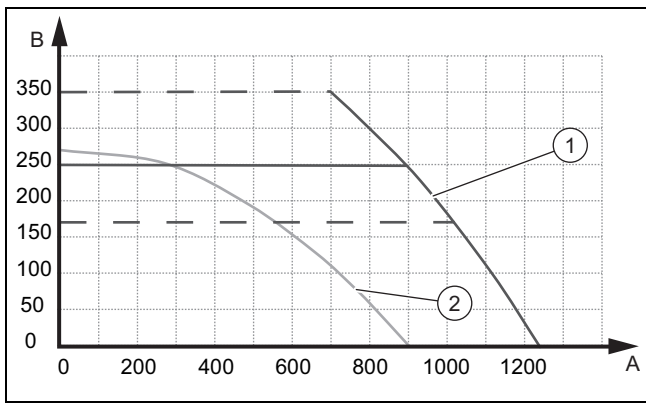
If you have installed a low loss header in the heating installation, you should switch off the speed regulation and set the pump output to a fixed value.

- ▶ If required, change the setting of the pump speed, which depends on the operating mode, under diagnostics code **d.14**.

Overview of diagnostics codes (→ Page 39)

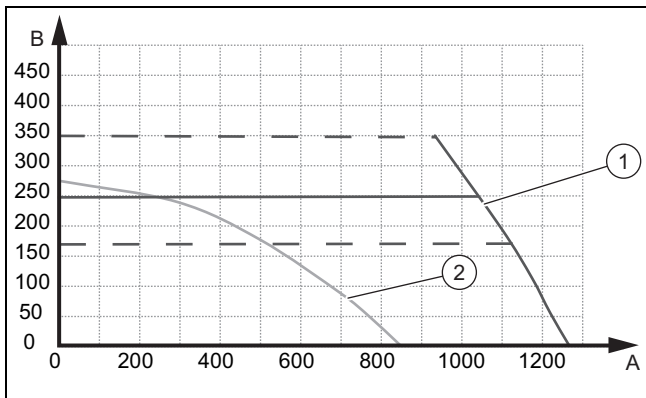
10.2.1 Pump diagrams

25c:



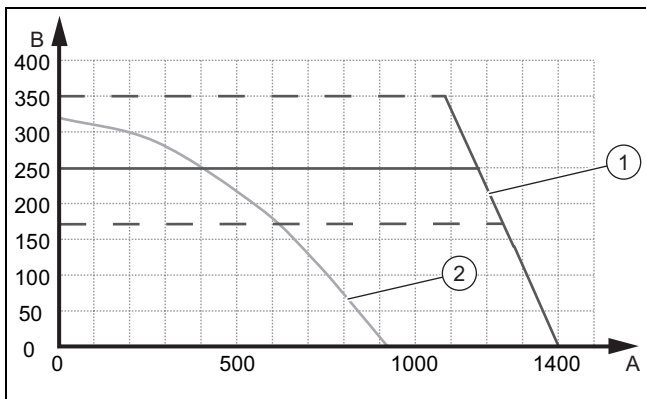
A Remaining feed head [mbar] 1 Max. PWM
 B Flow rate [l/h] 2 Min. PWM

30c:



A Remaining feed head [mbar] 1 Max. PWM
 B Flow rate [l/h] 2 Min. PWM

35c:



A Remaining feed head [mbar] 1 Max. PWM
 B Flow rate [l/h] 2 Min. PWM

10.3 Setting the bypass valve



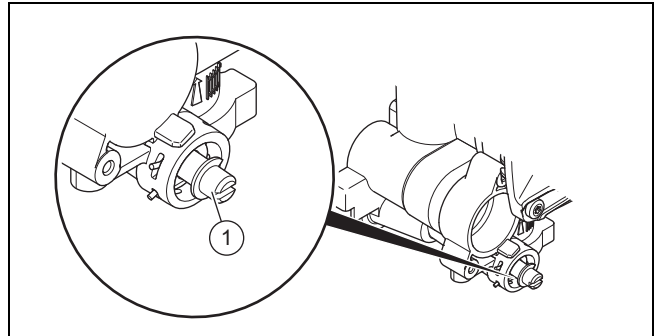
Caution.

Risk of material damage caused by incorrect setting of the high-efficiency pump

If the pressure at the bypass valve is increased (by turning it clockwise) and the pump output is set to less than 100%, the product may not operate correctly.

- In this case, set the pump output to 5 = 100% using diagnostics parameter d.14.

1. Remove the front casing. (→ Page 16)



2. Regulate the pressure using the adjusting screw (1).

Position of the adjusting screw	Notes/application
Right-hand stop (screwed all the way in)	If the radiators do not heat up sufficiently at the factory setting. In this case, you must set the pump to the maximum speed.
Mid-position (six anti-clockwise rotations)	Factory setting
Five further anti-clockwise rotations starting from the mid-position	If noises are produced in the radiators or radiator valves.

3. Install the front casing. (→ Page 16)

10.4 Setting the domestic hot water temperature

1. Observe the applicable regulations regarding legionella prevention.



Danger!

Risk of death from legionella.

Legionella multiply at temperatures below 60 °C.

- Ensure that the end user is familiar with all of the Anti-legionella measures in order to comply with the applicable regulations regarding legionella prevention.

2. Set the domestic hot water temperature.

Condition: Water hardness: > 3.57 mol/m³

- Domestic hot water temperature: ≤ 50 °C
3. Descale the water as required.

11 Handing over to the end user

- ▶ At the time of commissioning complete all relevant sections of the Benchmark commissioning checklist, located at the rear of this document.
- ▶ For IE: Complete a “Declaration of Conformity” to indicate compliance to I.S. 813. An example of this is given in the current edition of I.S. 813.
- ▶ When you have finished the installation, affix the enclosed sticker (which requests that the user reads the instructions) to the front of the product in the end user's language.
- ▶ Draw attention, to the current issue of the Gas Safety (Installation and Use) Regulations, Section 35, which imposes a duty of care on all persons who let out any property containing a gas appliance in the UK.
- ▶ Explain to the end user how the safety devices work and where they are located.
- ▶ Inform the end user how to handle the product.
- ▶ In particular, draw attention to the safety warnings that the end user must follow.
- ▶ Inform the end user that they must have the product maintained in accordance with the specified intervals.
- ▶ Pass all of the instructions and documentation for the product to the end user for safe-keeping.
- ▶ Inform the end user about measures taken to ensure the supply of combustion air and flue gas guiding, and instruct the operator that he must not make any changes.
- ▶ Inform the end user that they must not store or use explosive or highly flammable substances (such as petrol, paper or paint) in the installation room of the product.
- ▶ Complete and sign off the Benchmark commissioning check list.
- ▶ Complete and sign off the guarantee documentation.

12 Inspection and maintenance

12.1 Complete Service Interval Record section

- ▶ After servicing, complete the relevant Service Interval Record section of the Benchmark Checklist located on the inside back pages of this document.

12.2 Using original seals

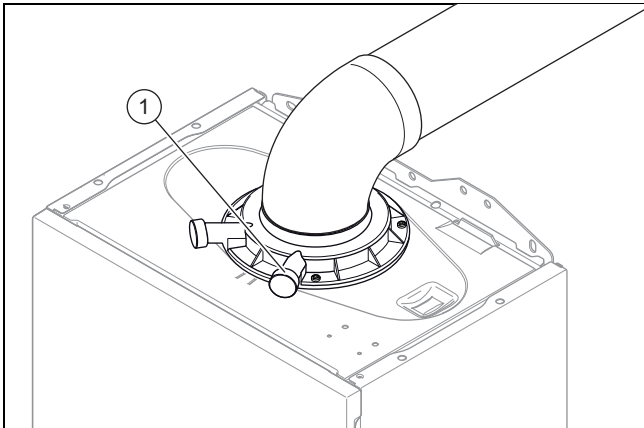
If you replace components, use only the enclosed original seals; additional sealing materials are not required.

12.3 Observing inspection and maintenance intervals

- ▶ Adhere to the minimum inspection and maintenance intervals. The inspection may require maintenance to be carried out earlier, depending on the results.
 - Inspection and maintenance work (→ Appendix)

12.4 Checking the CO₂ content

1. Start up the product with check programme (P.01).
2. Wait until the value that is read is stable.
 - Waiting period for reading a stable value: 5 min



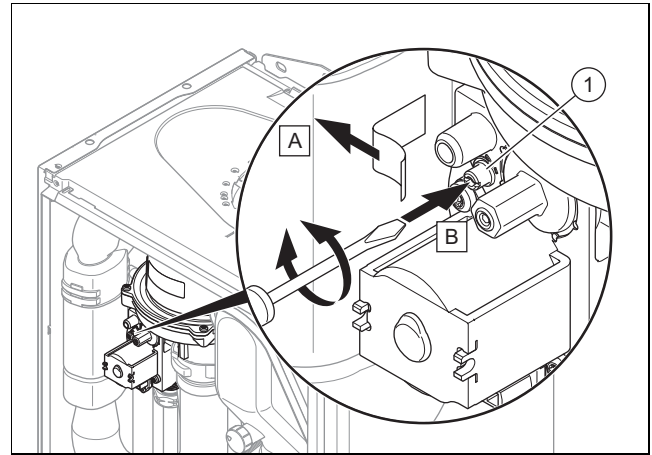
3. Unscrew the cover from the flue gas analysis point (1).
4. Measure the CO₂ content at the flue gas analysis point (1).
5. Compare the measured value with the corresponding value in the table.

Checking the CO ₂ content	Removed front casing	Fitted front casing
	Natural gas H	Natural gas H
CO ₂ at full load	9.0 ±1.0 vol. %	9.2 ±1.0 vol. %
CO at full load	≤ 250 ppm	≤ 250 ppm
CO/CO ₂	≤ 0.0031	≤ 0.0031

- ◁ The value is OK.
- ▽ The value is not OK; you cannot start up the product.
 - ▶ Set the CO₂ content. (→ Page 31)

12.5 Setting the CO₂ content

Condition: The CO₂ content must be adjusted



- ▶ Remove the sticker.
- ▶ Turn the screw (1) to set the CO₂ content (value with front casing removed).
 - ◁ To increase the CO₂ content: Turn anti-clockwise
 - ◁ To decrease the CO₂ content: Turn clockwise
- ▶ Only carry out the adjustment in increments of 1/8 turn and wait approximately 1 minute after each adjustment until the value has stabilised.
- ▶ Compare the measured value with the corresponding value in the table.

Setting the CO ₂ content	Removed front casing	Fitted front casing
	Natural gas H	Natural gas H
CO ₂ at full load	9.0 ±0.2 vol. %	9.2 ±0.2 vol. %
Set for Wobbe index W ₀	14.09 kW·h/m ³	14.09 kW·h/m ³
O ₂ at full load		4.5 ±1.8 vol. %
CO at full load	≤ 250 ppm	≤ 250 ppm
CO/CO ₂	≤ 0.0028	≤ 0.0028

- ▽ If the setting is not in the specified adjustment range, you must not start up the product.
 - ▶ Inform Customer Service.
- ▶ Check whether the air-quality requirements with regard to carbon monoxide are fulfilled.
- ▶ Install the front panel.

12.6 Removing the gas-air mixture unit

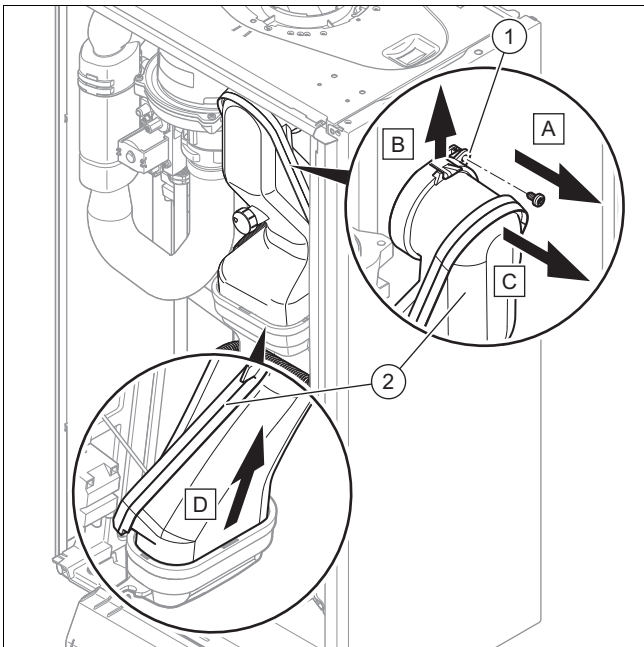


Note

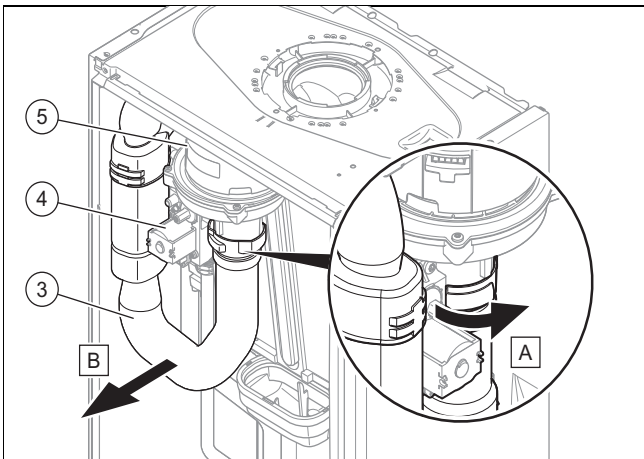
The gas-air mixture unit consists of three main components:

- Fan
- Gas valve assembly
- Burner hood

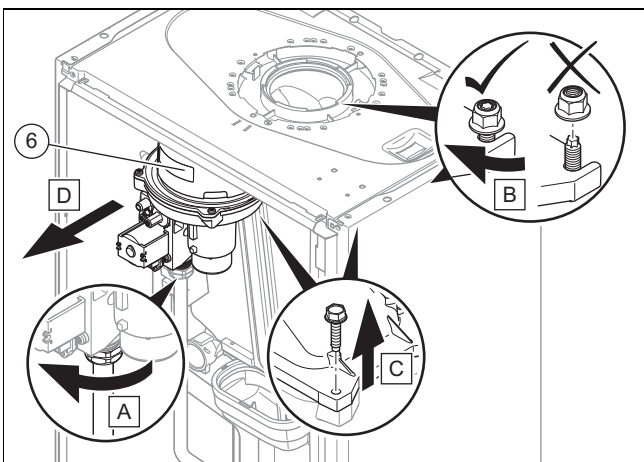
1. Switch off the product via the main switch.
2. Close the gas stopcock.
3. Remove the front casing. (→ Page 16)



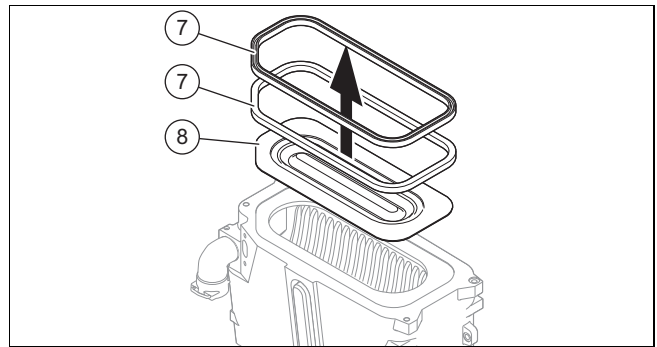
4. Remove the screw (1).
5. Push the clip upwards.
6. Remove the flue pipe (2).



7. Remove the air intake pipe (3).
8. Remove the plugs from the gas valve assembly (4) and from the fan (5).

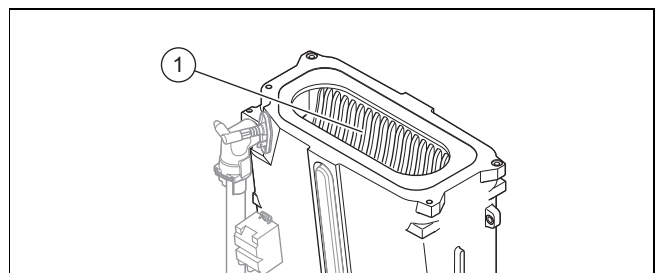


9. Remove the gas-air mixture unit (6).



10. Remove the burner seals (7) and the burner (8).
11. Check the burner and the heat exchanger for damage and dirt.
12. If necessary, clean or replace the components according to the following sections.
13. Install the two new burner seals.

12.7 Cleaning the heat exchanger

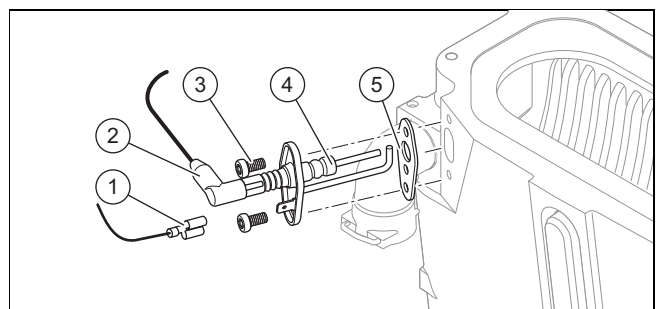


1. Protect the open electronics box from spraying water.
2. Clean the ribs of the heat exchanger (1) with water.
 - ◀ The water runs out into the condensate tray.

12.8 Checking the burner

1. Check the surface of the burner for possible damage. If you see any damage, replace the burner.
2. Install the two new burner seals.

12.9 Checking the ignition electrode

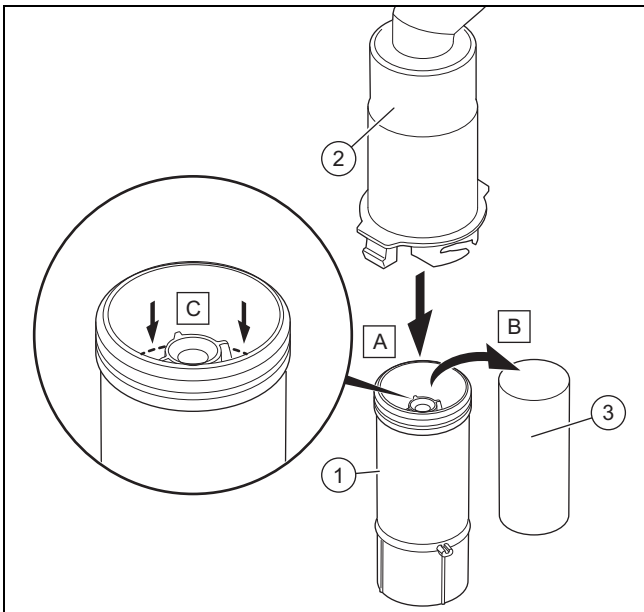


1. Disconnect the connection (2) and the earth cable (1).
2. Remove the fixing screws (3).
3. Carefully remove the electrode from the combustion chamber.
4. Check that the electrode ends (4) are undamaged.
5. Check the electrode distance.

- Clearance for the ignition electrodes: 3.5 to 4.5 mm

6. Make sure that the seal (5) is free from damage.
 - ▽ If necessary, replace the seal.

12.10 Cleaning the condensate trap



1. Unclip the lower section of the condensate trap (1) from the upper section of the condensate trap (2).
2. Remove the float (3).
3. Flush out the float and lower section of the condensate trap with water.
4. Fill the lower section of the condensate trap with water up to 10 mm below the upper edge of the condensate discharge pipe.
5. Re-insert the float (3).



Note

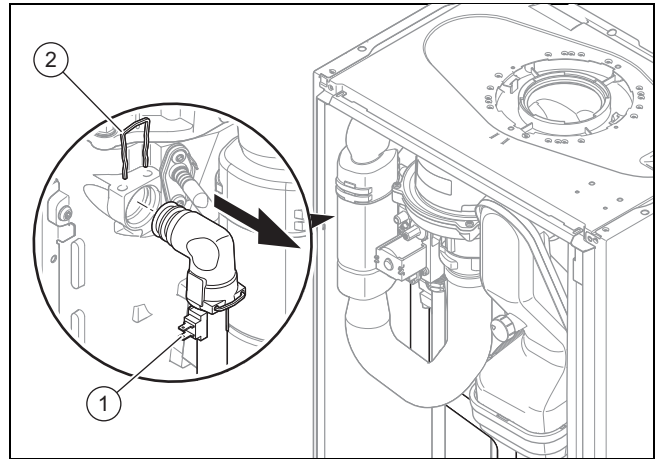
Check whether the float is present in the condensate trap.

6. Clip the lower section of the condensate trap (1) into the upper section of the condensate trap (2).

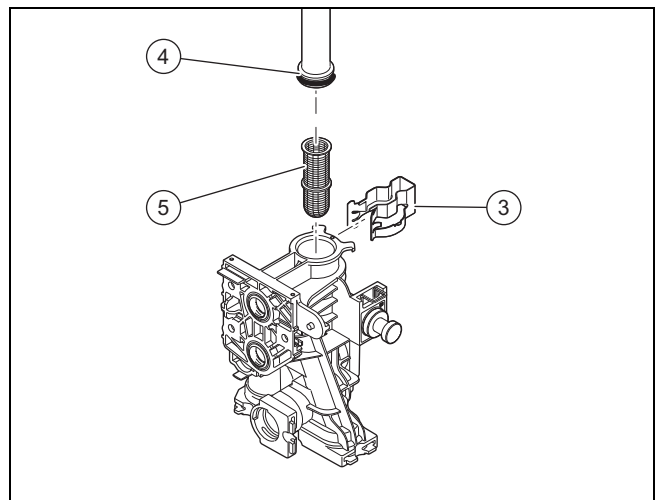
12.11 Cleaning the strainer in the cold water inlet

1. Close the main cold water supply line.
2. Drain the product on the domestic hot water side.
3. Remove the connector from the connection for the product's cold water pipe.
4. Clean the strainer in the cold water inlet without removing it.

12.12 Cleaning the heating filter



1. Drain the product. (→ Page 34)
2. Remove the temperature sensor (1).
3. Remove the upper clip (2).



4. Remove the lower clip (3).
5. Remove the flow pipe (4).
6. Remove the heating filter (5) and clean it.
7. Reinstall the components in the reverse order.

12.13 Installing the gas-air mixture unit

1. Install the burner.
2. Install two new burner seals in the burner hood.
3. Install the gas-air mixture unit.
4. Tighten the screws in a cross-wise pattern until the burner flange fits closely and uniformly onto the mating surfaces.
 - Tightening torque: 7 Nm, if a torque spanner is available
5. Install the flue pipe.
6. Install the air intake pipe.

12.14 Draining the product

1. Close the service valves of the product.
2. Start check programme **P.05**.
Overview of the check programmes (→ Page 23)
3. Open the drain valves.

12.15 Checking the pre-charge pressure of the expansion vessel

1. Drain the product. (→ Page 34)
2. Measure the pre-charge pressure of the expansion vessel at the vessel valve.

Condition: Pre-charge pressure < 0.075 MPa (0.75 bar)

- ▶ Top up the expansion vessel in accordance with the static height of the heating installation, ideally with nitrogen, otherwise with air. Ensure that the drain valve is open when topping up.
3. If water escapes from the valve of the expansion vessel, you must replace the expansion vessel (→ Page 36).
 4. Fill and purge the heating installation. (→ Page 25)

12.16 Completing inspection and maintenance work


1. Check the gas connection pressure (gas flow pressure). (→ Page 26)
2. Check the CO₂ content. (→ Page 27)
3. Set the maintenance interval.
4. Check the product for tightness. (→ Page 28)
5. Install the front casing. (→ Page 16)
6. Fill out the relevant Service Record section in the Benchmark Checklist located at the rear of this document.

13 Troubleshooting

13.1 Eliminating faults




- ▶ If fault messages (**F.xx**) appear, eliminate the fault after referring to the table in the appendix or using the check programmes. (→ Page 23)
Overview of fault codes (→ Page 44)

If several faults occur at the same time, the display shows the corresponding fault messages for two seconds each in alternation.


- ▶ Press  (max. three times) to restart the product.
- ▶ If you are unable to eliminate the fault and the fault recurs despite reset attempts, contact customer service.

13.2 Calling up and clearing the fault memory

The last 10 fault messages are stored in the fault memory.

- ▶ Call up the installer level. (→ Page 23)
- ▶ Navigate to the **fault codes**.
 - ◀ The number of faults that have occurred is shown in the display and the faults that are currently called up are displayed with their fault numbers **F.xx**.
- ▶ Press  or  to call up individual fault messages.
- ▶ To delete the entire fault list, navigate to diagnostics code **D.094** in the installer level.
- ▶ Set the diagnostics code to **1**, and confirm by pressing .

13.3 Resetting parameters to factory settings

1. Navigate to diagnostics code **D.096** in the installer level.
2. Set the diagnostics code to 1, and confirm by pressing .

13.4 Preparing the repair work

1. Switch off the product.
2. Disconnect the product from the electrical installation.
3. Remove the front casing.
4. Close the gas stopcock.
5. Close the service valves in the heating flow and in the heating return.
6. Close the service valve in the cold water pipe.
7. Drain the product if you want to replace water-bearing components of the product.
8. Ensure that water does not drip on live components (e.g. the electronics box).
9. Use only new seals and O-rings. Do not use any additional sealing materials.

13.4.1 Procuring spare parts

The original components of the product were also certified by the manufacturer as part of the declaration of conformity. If you use other, non-certified or unauthorised parts during maintenance or repair work, this may void the conformity of the product and it will therefore no longer comply with the applicable standards.

We strongly recommend that you use original spare parts from the manufacturer as this guarantees fault-free and safe operation of the product. To receive information about the available original spare parts, contact the contact address provided on the back page of these instructions.

- ▶ If you require spare parts for maintenance or repair work, use only the spare parts that are permitted for the product.

13.5 Replacing defective components

13.5.1 Replacing the burner

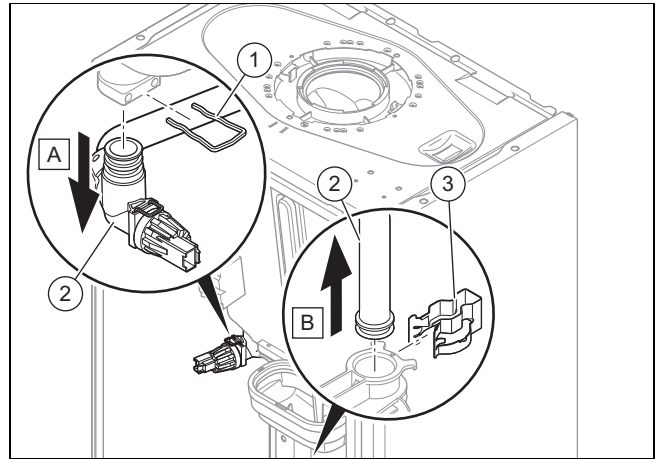
1. Remove the gas-air mixture unit. (→ Page 31)
2. Remove the two burner seals.
3. Remove the burner.
4. Insert the new burner.
5. Insert two new burner seals in the burner hood.
6. Install the gas-air mixture unit. (→ Page 33)

13.5.2 Replacing the gas-air mixture unit

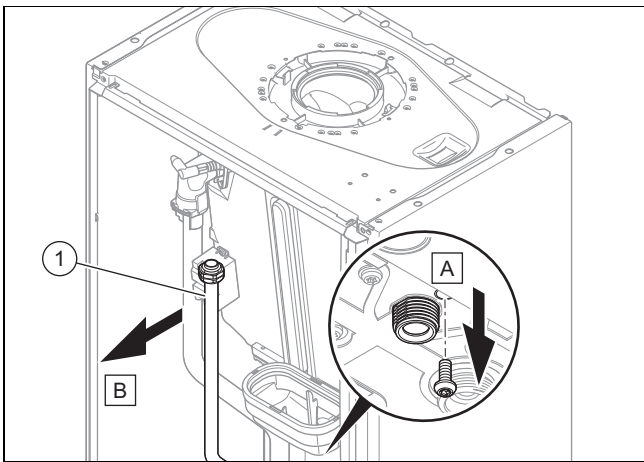
1. Remove the gas-air mixture unit. (→ Page 31)
2. Install the new gas-air mixture (→ Page 33).

13.5.3 Replacing the heat exchanger

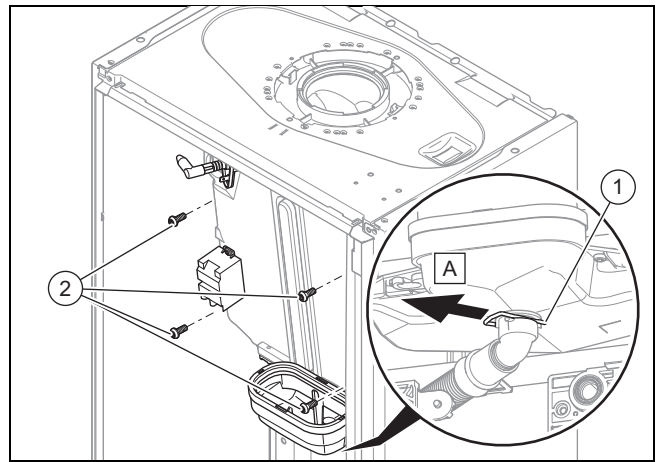
1. Remove the front casing. (→ Page 16)
2. Remove the gas-air mixture unit. (→ Page 31)



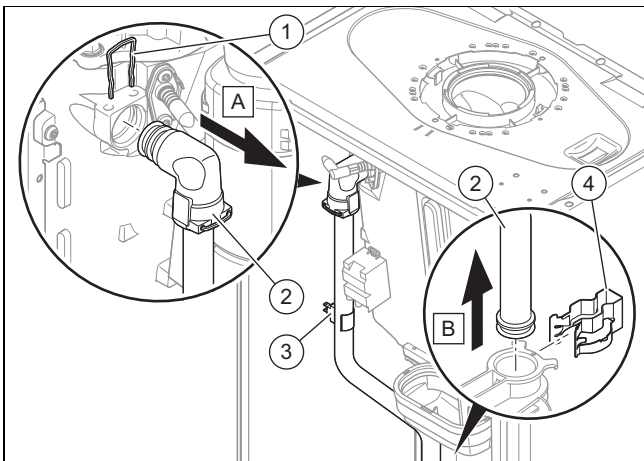
8. Remove the upper clip (1).
9. Remove the lower clip (3).
10. Remove the return pipe (2).



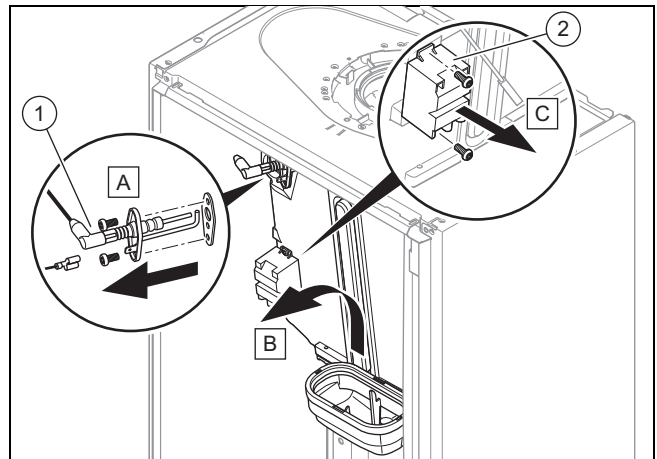
3. Remove the gas pipe (1).



11. Remove the clip underneath the condensate tray (1).
12. Undo the four screws (2).

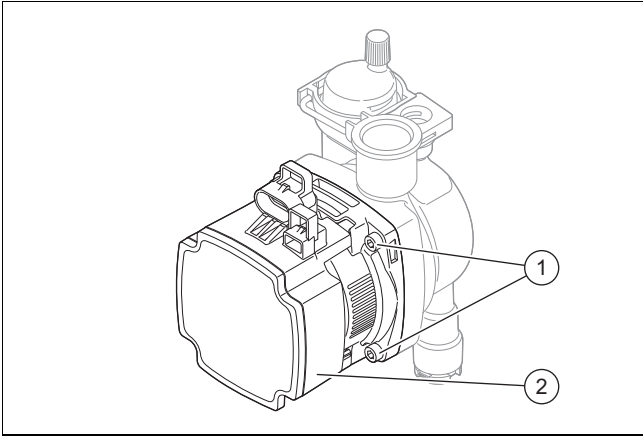


4. Remove the temperature sensor (3).
5. Remove the upper clip (1).
6. Remove the lower clip (4).
7. Remove the flow pipe (2).



13. Remove the ignition electrode (1).
14. Lift the heat exchanger up slightly and remove it together with the condensate tray.
15. Remove the ignition transformer (2).
16. Install the new heat exchanger in reverse order.

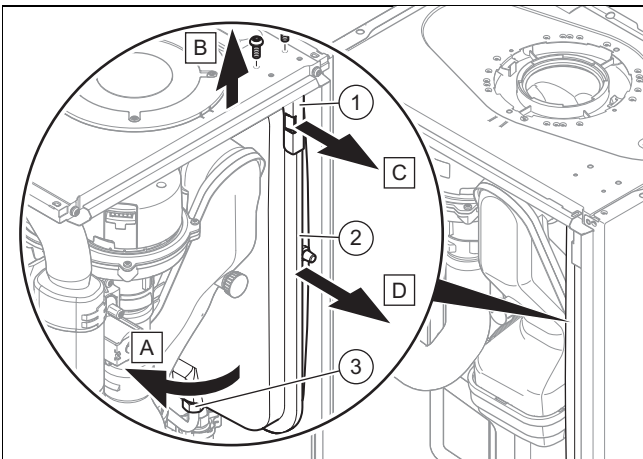
13.5.4 Replacing the pump head



1. Disconnect the pump cables from the electronics box.
2. Undo the four screws (1).
3. Remove the pump head (2).
4. Replace the O-ring.
5. Use four screws to secure the new pump head.
6. Connect the pump cables to the electronics box.

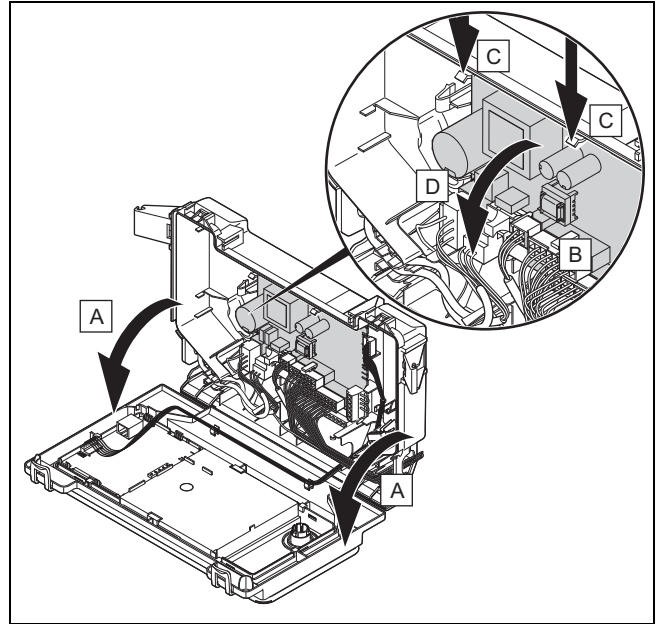
13.5.5 Replacing the expansion vessel

1. Drain the product. (→ Page 34)



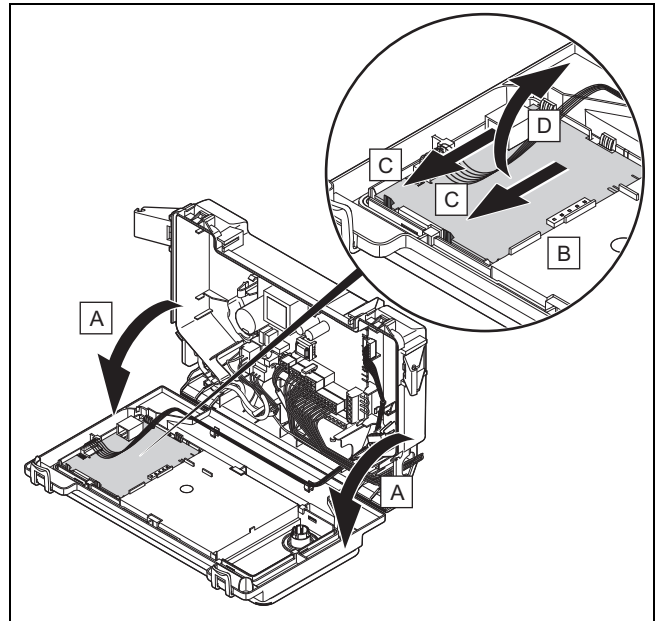
2. Undo the nut (3).
3. Remove both screws on the support plate (1).
4. Remove the support plate.
5. Pull out the expansion vessel (2) towards the front.
6. Insert the new expansion vessel into the product.
7. Screw the new expansion vessel to the water connection. To do this, use a new seal.
8. Attach the support plate using both screws.
9. Fill and purge the product (→ Page 25) and, if required, the heating installation.

13.5.6 Replacing the PCB



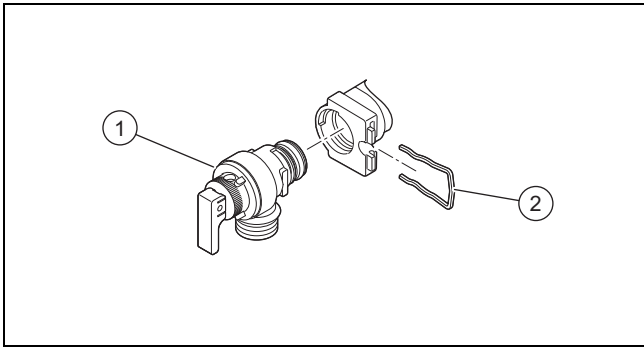
1. Open the electronics box. (→ Page 20)
2. Pull all of the plugs out from the PCB.
3. Undo the clips on the PCB.
4. Remove the PCB.
5. Install the new PCB in such a way that it clicks into the groove at the bottom and into the clip at the top.
6. Plug in the PCB plugs.
7. Close the electronics box.

13.5.7 Replacing the PCB for the user interface



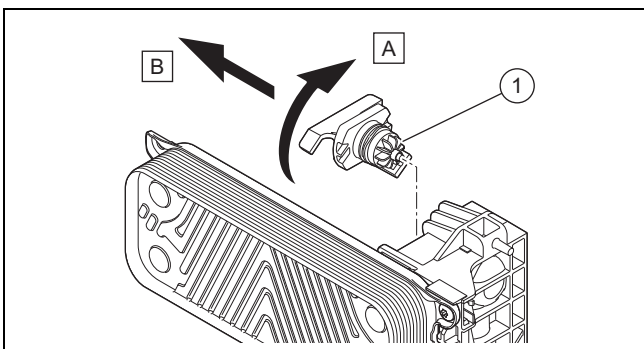
1. Open the electronics box. (→ Page 20)
2. Pull the plug out of the PCB.
3. Undo the clips on the PCB.
4. Remove the PCB.
5. Install the new PCB in such a way that it clicks into the groove at the bottom and into the clip at the top.
6. Plug in the PCB plug.
7. Close the electronics box.

13.5.8 Replacing the expansion relief valve



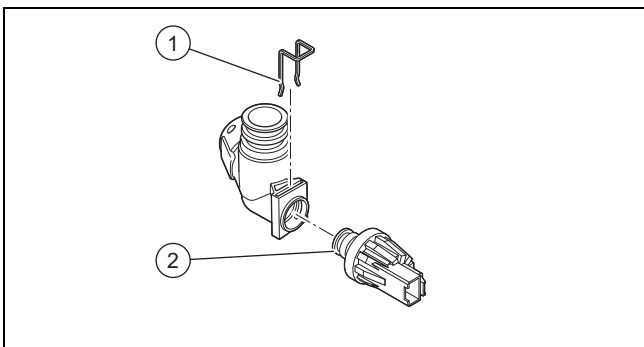
1. Remove the clip (2).
2. Remove the expansion relief valve.
3. Fit the new expansion relief valve with a new O-ring.
4. Reattach the clip (2).

13.5.9 Replacing the volume flow sensor



1. Pull out the plug.
2. Remove the volume flow sensor (1).
3. Install the new volume flow sensor.
4. Plug in the plug.

13.5.10 Replace the pressure sensor



1. Pull out the plug.
2. Remove the clip (1).
3. Remove the pressure sensor (2).
4. Install the new pressure sensor.
5. Reattach the clip (1).

13.6 Checking the product for leak-tightness

- ▶ Check that the product is leak-tight. (→ Page 28)

14 Decommissioning the product

- ▶ Switch off the product.
- ▶ Disconnect the product from the electrical installation.
- ▶ Close the gas stopcock.
- ▶ Close the cold-water isolation valve.
- ▶ Drain the product. (→ Page 34)

15 Recycling and disposal

Disposing of the packaging

- ▶ Dispose of the packaging correctly.
- ▶ Observe all relevant regulations.
- ▶ For detailed information refer to www.vaillant.co.uk.

Appendix

A Inspection and maintenance work


The table below lists the manufacturer requirements with respect to minimum inspection and maintenance intervals. If national regulations and directives require shorter inspection and maintenance intervals, you should observe these instead of the intervals listed. Each time inspection and maintenance work is carried out, carry out the required preparatory and completion work.



Note

For those appliances which are not part of an annual service agreement/policy, maintenance must be carried out at least every 5 years.

#	Maintenance work	Interval	
1	Record all of the analysis results in the Benchmark service record in these instructions	Annually	
2	Ask the end user whether any significant problems occur when operating the product	Annually	
3	Use the diagnostics system to check the product's fault history	Annually	
4	Visually inspect whether the air/flue pipe and its opening have been installed correctly in accordance with the set-up instructions	Annually	
5	Check that the unit has been installed correctly and the connections have been secured	Annually	
6	Check all of the connections for tightness	Annually	
7	Check that the condensate pipe is in good condition, that it is leak-tight and that the drain is correct	Annually	
8	Check whether all of the externally routed condensate pipes are dimensioned correctly and have been insulated sufficiently (frost protection)	Annually	
9	Check whether the gas flow rate corresponds with the specifications on the data plate and lies within the tolerances specified in these instructions	Annually	
10	If the gas flow rate lies outside of the tolerances specified in these instructions, eliminate the fault in accordance with the regulations and the current technology	Annually	
11	Check the general condition of the product and, if required, eliminate any faults that are found	Annually	
12	Carry out the combustion analysis: Measure the CO content, CO ₂ content and the CO/CO ₂ ratio. For products with a rear air/flue connection: The combustion analysis can only be carried out when the unit casing has been removed; it is not necessary to test these products for flue gas recirculation	Annually	
13	Check the product's recirculation at the supply air test point on the air/flue pipe. If required, inspect the entire air/flue system and, if necessary, correct the fault	Annually	
14	Disconnect the product from the electrical installation	Annually	
15	Check and, if required, correct the electrical installation	Annually	
16	Remove the unit casing, check the condition of all of the functional components, in particular for leaks, corrosion, rust, etc. and, if required, repair any damage	Annually	
17	Visual inspection of the heat exchanger and burner seals	Annually	
18	Carefully clean the inside of the product: The air passages to the burner must be clear and clean	Annually	
19	Close the installation's gas stopcock and, if required, service valves	Annually	
20	Check the quality of the heating water: Clarity (clouding), correct inhibitor and pH value	Annually	
21	Removing the gas-air mixture unit	at regular intervals	31
22	Checking the burner	at regular intervals	32
23	Cleaning the heat exchanger	at regular intervals	32
24	Check and, if required, replace the insulating mat in the burner area	at regular intervals	
25	Installing the gas-air mixture unit	at regular intervals	33
26	Cleaning the condensate trap	Annually	33
27	Filling the condensate trap	Annually	25

#	Maintenance work	Interval	
28	Checking the pre-charge pressure of the expansion vessel	at regular intervals	34
29	Check the water flow rate (domestic hot water). Insufficient water flow rate → Check the incoming water supply. Incoming water supply sufficient, water flow rate too low → Clean or replace the strainer in the cold water inlet	Annually	
30	Check the impeller sensor for dirt/damage and, if required, replace it	Annually	
31	Reassemble the product	After each time maintenance work is carried out	
32	Open the service valves, carry out the required leak-tightness test	Annually	
33	Fill the product/heating installation to the filling pressure specified for the system	Annually	
34	Connect the product to the electrical installation	Annually	
35	Run the test operation on the product/heating installation including hot water generation (if available) and, if required, purge the product/heating installation	Annually	
36	Measure the CO content, CO ₂ content and the CO/CO ₂ ratio again	Annually	

B Overview of diagnostics codes



Note

Since the code table is used for various products, some codes may not be visible for the product in question.

Diagnostics code	Parameter	Values		Unit	Increment, select, explanation	Default setting	Own setting
		Min.	Max.				
d.00	Heating maximum output	–	–	kW	The maximum heating output varies depending on the product. → Section "Technical data" Automatic: Unit automatically adjusts the maximum output to the current system demand	→ Section "Technical data"	Adjustable
d.01	Pump overrun time in heating mode	1	60	min	1	5	Adjustable
d.02	Maximum burner anti-cycling time in heating mode	2	60	min	1	20	Adjustable
d.04	Water temperature in the cylinder	Current value		°C	–	–	Not adjustable
d.05	Determined target heating flow temperature	Current value		°C	–	–	Not adjustable
d.06	Target domestic hot water temperature	Current value		°C	(Combi boiler only)	–	Not adjustable
d.07	Target temperature for the domestic hot water cylinder	Current value		°C	–	–	Not adjustable
d.08	Status of the 230 V thermostat	Current value		–	0 = Room thermostat open (no heat requirement) 1 = Room thermostat closed (heat requirement)	–	Not adjustable
d.09	Target heating flow temperature that is set on the eBUS room thermostat	Current value		°C	–	–	Not adjustable
d.10	Status of the internal pump in the heating circuit	Current value		–	off / on	–	Not adjustable
d.11	Status of the heating circuit's shunt pump	Current value		–	off / on	–	Not adjustable
d.13	Status of the domestic hot water circuit's circulation pump	Current value		–	off / on	–	Not adjustable

Diagnostics code	Parameter	Values		Unit	Increment, select, explanation	Default setting	Own setting
		Min.	Max.				
d.14	Operating mode of the modulating pump	0	5	–	0 = variable rotational speed (auto) 1; 2; 3; 4; 5 = Fixed rotational speeds → Section "Setting the pump output"	0	Adjustable
d.15	Pump speed	Current value		%	–	–	Not adjustable
d.16	Status of the 24 V room thermostat	Current value		–	off = Heating off on = Heating on	–	Not adjustable
d.17	Heating control	–	–	–	off = Flow temperature on = Return temperature (adjustment for underfloor heating. If you have activated the return temperature control, the automatic heating output determination function is not active.)	0	Adjustable
d.18	Pump overrun operating mode	1	3	–	1 = Continuous (pump runs permanently) 3 = Eco (intermittent pump operation – for the dissipation of the residual heat after domestic hot water generation at an extremely low heat demand)	1	Adjustable
d.19	Pump mode, 2-stage pump	0	3	–	0 = Burner mode stage 2, pump flow/overrun stage 1 1 = Heating mode and pump run/overrun stage 1, domestic hot water mode stage 2 2 = Automatic heating mode, pump rin/overrun stage 1, domestic hot water mode stage 2 3 = Stage 2	3	Adjustable
d.20	Maximum target domestic hot water temperature	50	60	°C	1	60	Adjustable
d.21	Status of the warm start for domestic hot water	Current value		–	off = Function deactivated on = Function activated and available	–	Not adjustable
d.22	Status of the DHW demand	Current value		–	off = No current requirement on = Current requirement	–	Not adjustable
d.23	Status of the heat demand	Current value		–	off = Heating off (Summer mode) on = Heating on	–	Not adjustable
d.24	Status of the pressure monitor	0	1	–	off = Not switched on = Switched	–	Not adjustable
d.25	Status of the requirement to reheat the cylinder or for the domestic hot water warm start from the eBUS thermostat	Current value		–	off = Function deactivated on = Function activated	–	Not adjustable
d.27	Function of relay 1 (multi-functional module)	1	10	–	1 = Circulation pump 2 = External pump 3 = Cylinder charging pump 4 = Extraction hood 5 = External solenoid valve 6 = Fault display 7 = Solar pump (omitted) 8 = eBUS remote control 9 = Anti-legionella pump 10 = Solar valve	1	Adjustable

Dia- gnostics code	Parameter	Values		Unit	Increment, select, explanation	Default set- ting	Own setting
		Min.	Max.				
d.28	Function of relay 2 (multi-functional module)	1	10	–	1 = Circulation pump 2 = External pump 3 = Cylinder charging pump 4 = Extraction hood 5 = External solenoid valve 6 = Fault display 7 = Solar pump (omitted) 8 = eBUS remote control 9 = Anti-legionella pump 10 = Solar valve	2	Adjustable
d.31	Automatic filling device	0	2	–	0 = Manual 1 = Semi-automatic 2 = Automatic	0	Adjustable
d.33	Fan speed target value	Current value		rpm	Fan speed = Display value x 100	–	Not adjustable
d.34	Value for the fan speed	Current value		rpm	Fan speed = Display value x 100	–	Not adjustable
d.35	Position of the prioritising diverter valve	Current value		–	0 = Heating 40 = Mid-position (parallel operation) 100 = Domestic hot water	–	Not adjustable
d.36	Value for the domestic hot water flow rate	Current value		l/min	–	–	Not adjustable
d.39	Water temperature in the solar circuit	Current value		°C	–	–	Not adjustable
d.40	Heating flow temperature	Current value		°C	–	–	Not adjustable
d.41	Heating return temperature	Current value		°C	–	–	Not adjustable
d.43	Heat curve	0.2	4	–	0.1	1.2	Adjustable
d.45	Value for the base point of the heat curve	15	30	–	1	20	Adjustable
d.47	Outdoor temperature	Current value		°C	–	–	Not adjustable
d.50	Correction of the minimum fan speed	0	3000	rpm	1 Fan speed = Display value x 10	600	Adjustable
d.51	Correction of the maximum fan speed	-2500	0	rpm	1 Fan speed = Display value x 10	-1000	Adjustable
d.58	Solar circuit reheating	0	3	–	0 = Boiler's anti-legionella function deactivated 3 = Domestic hot water activated (min. target value 60 °C)	0	Adjustable
d.60	Number of blocks by the temperature cut-out	Current value		–	–	–	Not adjustable
d.61	Number of unsuccessful ignitions	Current value		–	–	–	Not adjustable
d.62	Night set-back	0	30	–	1	0	Adjustable
d.64	Average burner ignition time	Current value		s	–	–	Not adjustable
d.65	Maximum burner ignition time	Current value		s	–	–	Not adjustable
d.66	Activation of the warm start function for domestic hot water	–	–	–	off = Function deactivated on = Function activated	1	Adjustable
d.67	Remaining burner anti-cycling time (setting under d.02)	Current value		min	–	–	Not adjustable
d.68	Number of unsuccessful ignitions at 1st attempt	Current value		–	–	–	Not adjustable

Dia- gnostics code	Parameter	Values		Unit	Increment, select, explanation	Default set- ting	Own setting
		Min.	Max.				
d.69	Number of unsuccessful ignitions at 2nd attempt	Current value		–	–	–	Not adjustable
d.70	Operation of the prioritising diverter valve	0	2	–	0 = Normal operating mode (DHW and heating mode) 1 = Mid-position (parallel operation) 2 = Permanent heating position	0	Adjustable
d.71	Maximum target heating flow temperature	45	80	°C	1	→ Section "Technical data"	Adjustable
d.73	Correction of the domestic hot water warm start temperature	-15	5	K	1	0	Adjustable
d.75	Maximum cylinder post-heating time	20	90	min	1	45	Adjustable
d.77	Max. cylinder post-heating	–	–	kW	1 → Section "Technical data"	–	Adjustable
d.80	Running time in heating mode	Current value		h	Running time = Display value x 100	–	Not adjustable
d.81	Running time in domestic hot water mode	Current value		h	Running time = Display value x 100	–	Not adjustable
d.82	Number of burner ignitions in heating mode	Current value		–	Number of ignitions = Display value x 100	–	Not adjustable
d.83	Number of burner ignitions in domestic hot water mode	Current value		–	Number of ignitions = Display value x 100	–	Not adjustable
d.84	Maintenance in	0	3000	h	Number of hours = Display value x 10	300	Not adjustable
d.85	Increase in the min. output (heating and domestic hot water mode)	–	–	kW	1	–	Adjustable
d.88	Flow rate limit value for ignition in domestic hot water mode	0	1	–	0 = 1.7 l/min (no delay) 1 = 3.7 l/min (2 s delay)	0	Adjustable
d.90	Status of the eBUS room thermostat	Current value		–	off = Not connected on = Connected	–	Not adjustable
d.91	Status DCF77	Current value		–	–	–	Not adjustable
d.93	Setting the product code	0	99	–	1 The Device Specific Number (DSN) can be found on the data plate.	–	Adjustable
d.94	Delete fault list	0	1	–	off = No on = Yes	–	Adjustable
d.95	Software versions	–	–	–	1 = Main PCB 2 = Interface PCB	–	Adjustable
d.96	Default setting (reset)	–	–	–	0 = No 1 = Yes	–	Adjustable

C Status codes – Overview



Note

Since the code table is used for various products, some codes may not be visible for the product in question.

Status code	Meaning
Displays in heating mode	
S.0	Heating mode: No requirement
S.01	Heating mode: Fan prerun
S.02	Heating mode: Pump prerun
S.03	Heating mode: Burner ignition
S.04	Heating mode: Burner on
S.05	Heating mode: Pump/fan overrun
S.06	Heating mode: Fan overrun
S.07	Heating mode: Pump overrun
S.08	Heating mode: Temporary shutdown after heating procedure
Displays in domestic hot water mode	
S.10	Domestic hot water mode: Requirement
S.11	Domestic hot water mode: Fan prerun
S.13	Domestic hot water mode: Burner ignition
S.14	DHW mode: Burner on
S.15	DHW mode: Pump/fan overrun
S.16	DHW mode: Fan overrun
S.17	DHW mode: Pump overrun
Display in comfort mode with warm start or domestic hot water mode with cylinder	
S.20	Domestic hot water mode: Requirement
S.21	Domestic hot water mode: Fan prerun
S.22	Domestic hot water mode: Pump prerun
S.23	Domestic hot water mode: Burner ignition
S.24	DHW mode: Burner on
S.25	DHW mode: Pump/fan overrun
S.26	DHW mode: Fan overrun
S.27	DHW mode: Pump overrun
S.28	Domestic hot water mode: Temporary shutdown of the burner
Other displays	
S.30	Room thermostat is blocking heating mode.
S.31	No heating demand: Summer mode, eBUS control, waiting period
S.32	Fan waiting time: Fan speed outside of the tolerance values
S.33	Forced fan operation until the pressure monitor is switched
S.34	Frost protection active
S.39	Underfloor heating contact open
S.41	Water pressure too high
S.42	Flue non-return flap closed
S.46	Frost protection mode (Comfort): Minimum load
S.53	Product in waiting period / operating block function due to water deficiency (flow/return spread too large)
S.54	Waiting period: Water deficiency in the circuit (flow/return spread too large)
S.76	Maintenance message: Check the water pressure
S.88	Product purging active
S.91	Maintenance: Demo mode
S.96	Automatic test programme: Return temperature sensor, heating demands blocked.
S.97	Automatic test programme: Water pressure sensor, heating demands blocked.

Status code	Meaning
S.98	Automatic test programme: Return temperature sensor, heating demands blocked.
S.99	Internal automatic test programmes
S.108	Purging the combustion chamber, fan in operation
S.109	Product's standby mode activated

D Overview of fault codes



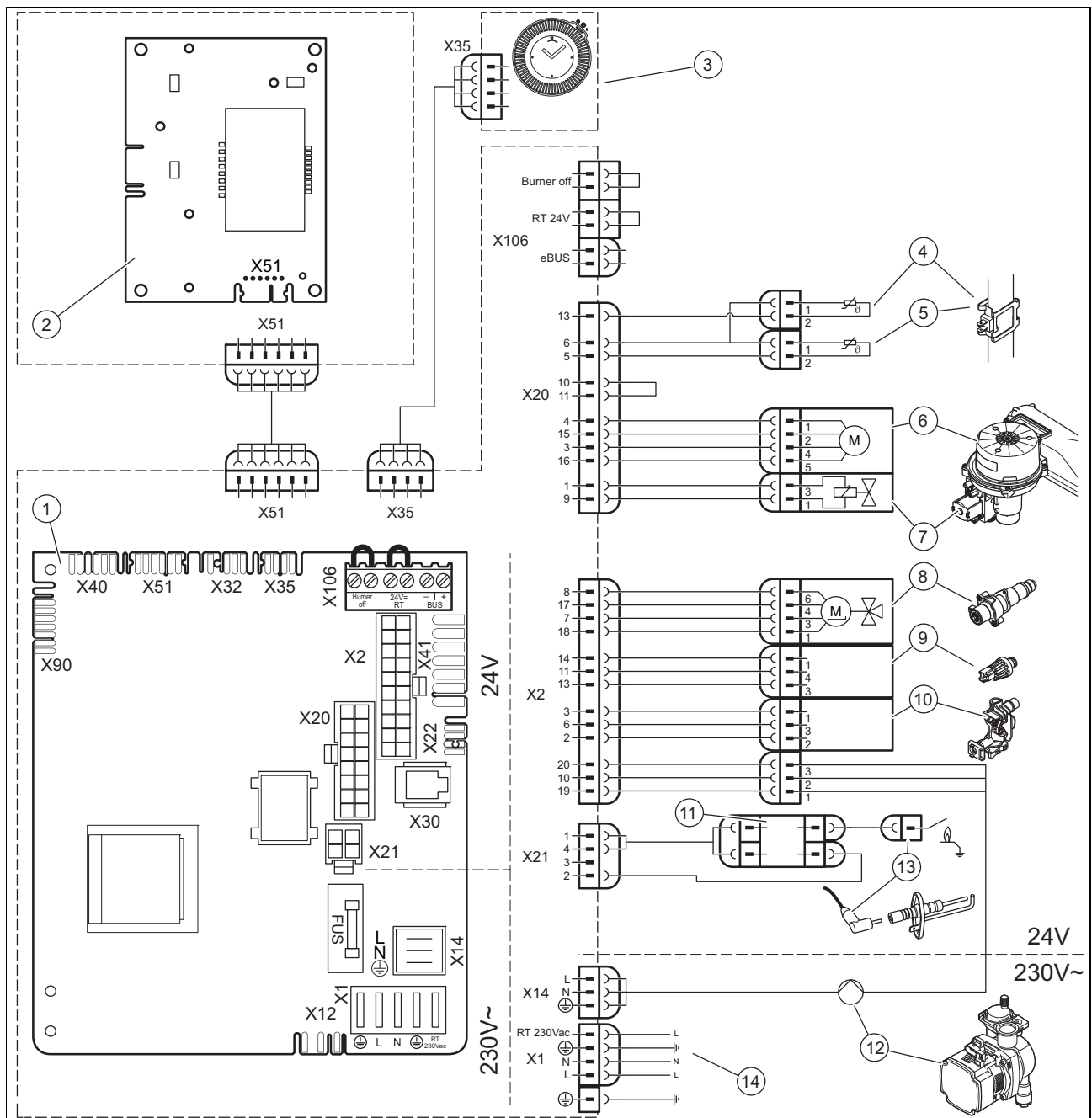
Note

Since the code table is used for various products, some codes may not be visible for the product in question.

Fault code	Meaning	Possible cause
F.00	Fault: Flow temperature sensor	NTC plug not plugged in or has come loose, multiple plug on the PCB not plugged in correctly, interruption in cable harness, NTC sensor defective
F.01	Fault: Return temperature sensor	NTC plug not plugged in or has come loose, multiple plug on the PCB not plugged in correctly, interruption in cable harness, NTC sensor defective
F.10	Short circuit: Flow temperature sensor	NTC sensor defective, short circuit in the cable harness, cable/housing
F.11	Short circuit: Return temperature sensor	NTC sensor defective, short circuit in the cable harness, cable/housing
F.12 and F.91	Short circuit: Cylinder temperature sensor	NTC sensor defective, short circuit in the cable harness, cable/housing
F.13	Short circuit: Temperature sensor for the domestic hot water cylinder	NTC sensor defective, short circuit in the cable harness, cable/housing
F.20	Safety shutdown: Overheating temperature reached	Incorrect earth connection between cable harness and product, flow or return NTC defective (loose connection), stray spark via ignition cable, ignition plug or ignition electrode
F.22	Safety shutdown: Water deficiency in the boiler	No or insufficient water in the product, water pressure sensor defective, cable to the pump or to the water pressure sensor loose/not connected/defective
F.23	Safety shutdown: Temperature spread too great (NTC1/NTC2)	Pump blocked, insufficient pump output, air in product, flow and return NTC sensors connected the wrong way round
F.24	Safety shutdown: Temperature rise too fast	Pump blocked, insufficient pump output, air in product, system pressure too low, non-return valve blocked/incorrectly installed
F.25	Safety shutdown: Flue gas temperature too high	Break in plug connection for optional flue gas safety cut-out (SCO), break in cable harness
F.27	Safety shutdown: Fault in flame detection	Moisture on the electronics, electronics (flame monitor) defective, gas solenoid valve leaking
F.28	Fault: Ignition unsuccessful when starting up	Gas meter defective or gas pressure switch has triggered, air in gas, gas flow pressure too low, thermal cut-out has triggered, incorrect gas injector, incorrect spare gas valve assembly, fault on the gas valve assembly, multiple plug on PCB incorrectly plugged in, break in cable harness, ignition system (ignition transformer, ignition cable, ignition plug, ignition electrode) defective, ionisation flow interrupted (cable, electrode), incorrect earthing of product, electronics defective Condensate siphon blocked
F.29	Fault: Flame loss	Gas supply temporarily stopped, flue gas recirculation, incorrect earthing of product, ignition transformer has spark failure Condensate siphon blocked
F.32	Fan frost protection function active: Fan speed outside the tolerance values	Plug on fan not correctly plugged in, multiple plug on PCB not correctly plugged in, break in cable harness, fan blocked, Hall sensor defective, electronics defective
F.49	eBUS fault: Voltage too low	Short circuit on eBUS, eBUS overload or two power supplies with different polarities on the eBUS
F.61	Fault: Gas valve assembly control	Short circuit/short-to-ground in cable harness to gas valve assembly, gas valve assembly defective (coils shorted to earth), electronics defective
F.62	Fault: Gas valve switch-off control	Delayed switch-off of gas valve assembly, delayed extinguishing of flame signal, gas valve assembly leaking, electronics defective
F.63	Fault: EEPROM	Electronics defective
F.64	Fault: Electronics / sensor / analogue-to-digital converter	Flow or return NTC short circuited, electronics defective
F.65	Fault: Electronics temperature too high	Electronics overheating due to external influences, electronics defective

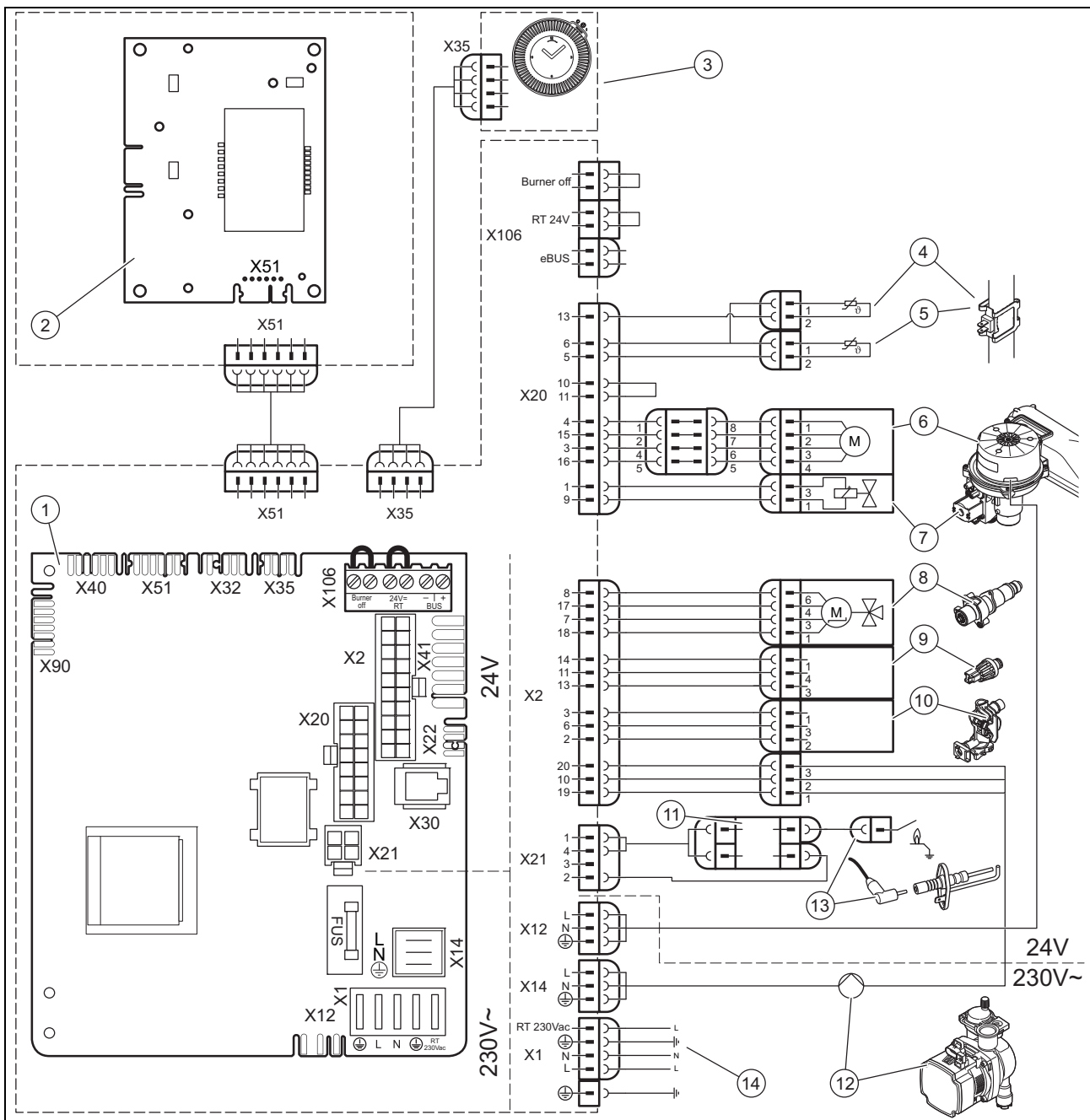
Fault code	Meaning	Possible cause
F.67	Value sent back by ASIC is incorrect (flame signal)	Implausible flame signal, electronics defective
F.68	Fault: Unstable flame (analogue input)	Air in gas, gas flow pressure too low, incorrect air ratio, incorrect gas injector, ionisation flow interruption (cable, electrode)
F.70	Invalid product code (DSN)	Display and PCB replaced at same time and Device Specific Number not reset, wrong or missing output coding resistor
F.71	Fault: Flow/return temperature sensor	Flow temperature sensor signalling constant value: Flow temperature sensor incorrectly positioned on flow pipe, flow temperature sensor defective
F.72	Fault: Deviation in the water pressure sensor/return temperature sensor	Flow/return NTC temperature difference too great → flow and/or return temperature sensor defective
F.73	Fault: Water pressure sensor not connected or has short-circuited	Interruption/short circuit of water pressure sensor, interruption/short circuit to GND in supply pipe to water pressure sensor or water pressure sensor defective
F.74	Fault: Electrical problem in the water pressure sensor	Line to water pressure sensor has a short circuit to 5 V/24 V or internal fault in the water pressure sensor
F.75	Fault: Pressure sensor	Pressure switch defective
F.76	The safety cut-out in the primary heat exchanger is defective	Safety cut-out feedback does not match the gas valve assembly feedback
F.77	Fault: Condensate or smoke	No response, flue non-return flap defective
F.78	Interruption to DHW outlet sensor at external control	UK link box is connected, but domestic hot water NTC not bridged
F.83	Fault: Dry fire	When the burner starts, the temperature change registered at the flow or return temperature sensor is non-existent or too small: Insufficient water in the product, the flow or return temperature sensor is not in the correct position on the pipe
F.84	Fault: Flow/return temperature sensor	Values not consistent, difference < -6 K Flow and return temperature sensors signalling implausible values: Flow and return temperature sensors have been inverted, flow and return temperature sensors have not been correctly installed
F.85	Fault: Temperature sensor	The flow and/or return temperature sensors have been installed on the same pipe/incorrect pipe Temperature sensor not connected or is connected incorrectly
F.86	Fault: Underfloor heating contact	Underfloor heating contact open, sensor disconnected or defective
F.87	Fault: Electrodes	Electrodes not connected or they are connected incorrectly, short circuit in the cable harness
F.88	Fault: Gas valve assembly	Gas valve assembly not connected or it is connected incorrectly, short circuit in the cable harness
F.89	Fault: Pump	Pump not connected or it is connected incorrectly, incorrect pump connected, short circuit in the cable harness
F.97	Main PCB self-test failed	Main PCB defective
Connection	No communication between the main PCB and the user interface	Electronics defective

E Wiring diagram: Combi boiler



- | | | | |
|---|--|----|--|
| 1 | Main PCB | 8 | 3-port diverter valve |
| 2 | Interface PCB | 9 | Pressure sensor |
| 3 | Timer | 10 | Flow rate sensor |
| 4 | Temperature sensor on the heating flow | 11 | External ignition transformer |
| 5 | Temperature sensor on the heating return | 12 | Heating pump |
| 6 | Fan | 13 | Ionisation and ignition electrode |
| 7 | Gas valve assembly | 14 | Main power supply and connection for 230 V control |

F Wiring diagram: Combi boiler (35 kW)



1	Main PCB	8	3-port diverter valve
2	Interface PCB	9	Pressure sensor
3	Timer	10	Flow rate sensor
4	Temperature sensor on the heating flow	11	External ignition transformer
5	Temperature sensor on the heating return	12	Heating pump
6	Fan	13	Ionisation and ignition electrode
7	Gas valve assembly	14	Main power supply and connection for 230 V control

Benchmark Commissioning & Warranty Validation Service Record

It is a requirement that the boiler is installed and commissioned to the manufacturers' instructions and the data fields on the commissioning checklist completed in full.

To instigate the boiler warranty the boiler needs to be registered with the manufacturer within one month of the installation. The warranty rests with the end-user (consumer), and they should be made aware it is ultimately their responsibility to register with the manufacturer, within the allotted time period.

It is essential that the boiler is serviced in line with the manufacturers' recommendations, at least annually. This must be carried out by a competent Gas Safe registered engineer. The service details should be recorded on the Benchmark Service and Interim Boiler Work Record and left with the householder. Failure to comply with the manufacturers' servicing instructions and requirements will invalidate the warranty.



www.hhic.co.uk

This Commissioning Checklist is to be completed in full by the competent person who commissioned the boiler as a means of demonstrating compliance with the appropriate Building Regulations and then handed to the customer to keep for future reference.

Failure to install and commission according to the manufacturers' instructions and complete this Benchmark Commissioning Checklist will invalidate the warranty. This does not affect the customer's statutory rights.

* All installations in England and Wales must be notified to Local Authority Building Control (LABC) either directly or through a Competent Persons Scheme. A Building Regulations Compliance Certificate will then be issued to the customer.

© Heating and Hotwater Industry Council (HHIC)



www.centralheating.co.uk

GAS BOILER SYSTEM COMMISSIONING CHECKLIST & WARRANTY VALIDATION RECORD

Address:															
Boiler make and model:															
Boiler serial number:															
Commissioned by (PRINT NAME):						Gas Safe registration number:									
Company name:						Telephone number:									
Company email:						Company address:									
										Commissioning date:					
Heating and hot water system complies with the appropriate Building Regulations?											Yes				
Optional: Building Regulations Notification Number (if applicable):															
Time, temperature control and boiler interlock provided for central heating and hot water											Yes				
Boiler Plus requirements (tick the appropriate box(s))															
Boiler Plus option chosen for combination boiler in ENGLAND						Weather compensation			Smart thermostat with automation and optimisation						
						Load compensation			Flue Gas Heat Recovery						
Time and temperature control to hot water			Cylinder thermostat and programmer/timer						Combination boiler						
Zone valves			pre-existing			Fitted			Not required						
Thermostatic radiator valves			pre-existing			Fitted			Not required						
Automatic bypass to system			pre-existing			Fitted			Not required						
Underfloor heating			pre-existing			Fitted			Not required						
Water quality															
The system has been flushed, cleaned and a suitable inhibitor applied upon final fill, in accordance with BS7593 and boiler manufacturers' instructions											Yes				
What system cleaner was used?						Brand:			Product:						
What inhibitor was used?						Brand:			Product:						
Primary water system filter			pre-existing			Fitted			Not required						
CENTRAL HEATING MODE measure and record (as appropriate)															
Gas rate (for combination boilers complete DHW mode gas rate)						m ³ /hr			or			ft ³ /hr			
Central heating output left at factory settings?						Yes			No						
If no, what is the maximum central heating output selected?												kW			
Dynamic gas inlet pressure												mbar			
Central heating flow temperature												°C			
Central heating return temperature												°C			
System correctly balanced/rebalanced?						Yes									
COMBINATION BOILERS ONLY															
Is the installation in a hard water area (above 200ppm)?						Yes			No						
Water scale reducer/softener			pre-existing			Fitted			Not required						
What type of scale reducer/softener has been fitted?						Brand:			Product:						
Water meter fitted?						Yes			No						
If yes- DHW expansion vessel			pre-existing			Fitted			Not required						
Pressure reducing valve			pre-existing			Fitted			Not required						
DOMESTIC HOT WATER MODE Measure and record															
Gas rate						m ³ /hr			or			ft ³ /hr			
Dynamic gas inlet pressure at maximum rate												mbar			
Cold water inlet temperature												°C			
Hot water has been checked at all outlets						Yes			Temperature			°C			
CONDENSATE DISPOSAL															
The condensate drain has been installed in accordance with the manufacturers' instructions and/or BS5546/BS6798											Yes				
Point of termination						Internal			External (only where internal termination impractical)						
Method of disposal						Gravity			Pumped						
ALL INSTALLATIONS															
Record the following		At max rate:		CO		ppm		CO ₂		%		CO/CO ₂		Ratio	
		At min rate (where possible)		CO		ppm		CO ₂		%		CO/CO ₂		Ratio	
Where possible, has a flue integrity check been undertaken in accordance with manufacturers' instructions, and readings are correct?											Yes				
The operation of the boiler and system controls have been demonstrated to and understood by the customer											Yes				
The manufacturers' literature, including Benchmark Checklist and Service Record, has been explained and left with the customer											Yes				
Commissioning Engineer's signature															
Customer's signature (To confirm satisfactory demonstration and receipt of manufacturers' literature)															

* All installations in England and Wales must be notified to Local Authority Building Control (LABC) either directly or through a Competent Persons Scheme. A Building Regulations Compliance Certificate will then be issued to the customer.

© Heating and Hotwater Industry Council (HHIC)



www.centralheating.co.uk

SERVICE & INTERIM BOILER WORK RECORD

It is recommended that your boiler and heating system are regularly serviced and maintained, in line with manufacturers' instructions, and that the appropriate service / interim work record is completed.

Service provider

When completing a service record (as below), please ensure you have carried out the service as described in the manufacturers' instructions. Always use the manufacturers' specified spare parts.

SERVICE/INTERIM WORK ON BOILER <small>delete as appropriate</small>					Date:	
Engineer name:		Company name:				
Telephone N°:		Gas Safe registration N°:				
Max rate	CO	ppm	CO ₂	%	CO/CO ₂	
Min rate	CO	ppm	CO ₂	%	CO/CO ₂	
Where possible, has a flue integrity check been undertaken in accordance with manufacturers' instructions, and readings are correct?*					yes	
Gas rate:	m ³ /h	OR	ft ³ /h			
Were parts fitted? <small>delete as appropriate</small>		Yes	No			
Parts fitted:						
System inhibitor concentration has been checked and appropriate action taken, in accordance with BS 7593 and boiler manufacturers' instructions. *					yes	n/a
Comments:						
Signature:						

*A System inhibitor efficacy test is required on every annual service in accordance with the manufacturers' instructions and BS 7593. It is only acceptable to not have undertaken this if the service engineers attendance visit was in between annual services to attend a non-water facing component.

SERVICE/INTERIM WORK ON BOILER <small>delete as appropriate</small>					Date:	
Engineer name:		Company name:				
Telephone N°:		Gas Safe registration N°:				
Max rate	CO	ppm	CO ₂	%	CO/CO ₂	
Min rate	CO	ppm	CO ₂	%	CO/CO ₂	
Where possible, has a flue integrity check been undertaken in accordance with manufacturers' instructions, and readings are correct?*					yes	
Gas rate:	m ³ /h	OR	ft ³ /h			
Were parts fitted? <small>delete as appropriate</small>		Yes	No			
Parts fitted:						
System inhibitor concentration has been checked and appropriate action taken, in accordance with BS 7593 and boiler manufacturers' instructions. *					yes	n/a
Comments:						
Signature:						

*A System inhibitor efficacy test is required on every annual service in accordance with the manufacturers' instructions and BS 7593. It is only acceptable to not have undertaken this if the service engineers attendance visit was in between annual services to attend a non-water facing component.

SERVICE/INTERIM WORK ON BOILER <small>delete as appropriate</small>					Date:	
Engineer name:		Company name:				
Telephone N°:		Gas Safe registration N°:				
Max rate	CO	ppm	CO ₂	%	CO/CO ₂	
Min rate	CO	ppm	CO ₂	%	CO/CO ₂	
Where possible, has a flue integrity check been undertaken in accordance with manufacturers' instructions, and readings are correct?*					yes	
Gas rate:	m ³ /h	OR	ft ³ /h			
Were parts fitted? <small>delete as appropriate</small>		Yes	No			
Parts fitted:						
System inhibitor concentration has been checked and appropriate action taken, in accordance with BS 7593 and boiler manufacturers' instructions. *					yes	n/a
Comments:						
Signature:						

*A System inhibitor efficacy test is required on every annual service in accordance with the manufacturers' instructions and BS 7593. It is only acceptable to not have undertaken this if the service engineers attendance visit was in between annual services to attend a non-water facing component.

SERVICE/INTERIM WORK ON BOILER <small>delete as appropriate</small>					Date:	
Engineer name:		Company name:				
Telephone N°:		Gas Safe registration N°:				
Max rate	CO	ppm	CO ₂	%	CO/CO ₂	
Min rate	CO	ppm	CO ₂	%	CO/CO ₂	
Where possible, has a flue integrity check been undertaken in accordance with manufacturers' instructions, and readings are correct?*					yes	
Gas rate:	m ³ /h	OR	ft ³ /h			
Were parts fitted? <small>delete as appropriate</small>		Yes	No			
Parts fitted:						
System inhibitor concentration has been checked and appropriate action taken, in accordance with BS 7593 and boiler manufacturers' instructions. *					yes	n/a
Comments:						
Signature:						

*A System inhibitor efficacy test is required on every annual service in accordance with the manufacturers' instructions and BS 7593. It is only acceptable to not have undertaken this if the service engineers attendance visit was in between annual services to attend a non-water facing component.

SERVICE/INTERIM WORK ON BOILER <small>delete as appropriate</small>					Date:	
Engineer name:		Company name:				
Telephone N°:		Gas Safe registration N°:				
Max rate	CO	ppm	CO ₂	%	CO/CO ₂	
Min rate	CO	ppm	CO ₂	%	CO/CO ₂	
Where possible, has a flue integrity check been undertaken in accordance with manufacturers' instructions, and readings are correct?*					yes	
Gas rate:	m ³ /h	OR	ft ³ /h			
Were parts fitted? <small>delete as appropriate</small>		Yes	No			
Parts fitted:						
System inhibitor concentration has been checked and appropriate action taken, in accordance with BS 7593 and boiler manufacturers' instructions. *					yes	n/a
Comments:						
Signature:						

*A System inhibitor efficacy test is required on every annual service in accordance with the manufacturers' instructions and BS 7593. It is only acceptable to not have undertaken this if the service engineers attendance visit was in between annual services to attend a non-water facing component.

SERVICE/INTERIM WORK ON BOILER <small>delete as appropriate</small>					Date:	
Engineer name:		Company name:				
Telephone N°:		Gas Safe registration N°:				
Max rate	CO	ppm	CO ₂	%	CO/CO ₂	
Min rate	CO	ppm	CO ₂	%	CO/CO ₂	
Where possible, has a flue integrity check been undertaken in accordance with manufacturers' instructions, and readings are correct?*					yes	
Gas rate:	m ³ /h	OR	ft ³ /h			
Were parts fitted? <small>delete as appropriate</small>		Yes	No			
Parts fitted:						
System inhibitor concentration has been checked and appropriate action taken, in accordance with BS 7593 and boiler manufacturers' instructions. *					yes	n/a
Comments:						
Signature:						

*A System inhibitor efficacy test is required on every annual service in accordance with the manufacturers' instructions and BS 7593. It is only acceptable to not have undertaken this if the service engineers attendance visit was in between annual services to attend a non-water facing component.

* All installations in England and Wales must be notified to Local Authority Building Control (LABC) either directly or through a Competent Persons Scheme. A Building Regulations Compliance Certificate will then be issued to the customer.

© Heating and Hotwater Industry Council (HHIC)



www.centralheating.co.uk

SERVICE & INTERIM BOILER WORK RECORD

It is recommended that your boiler and heating system are regularly serviced and maintained, in line with manufacturers' instructions, and that the appropriate service / interim work record is completed.

Service provider

When completing a service record (as below), please ensure you have carried out the service as described in the manufacturers' instructions. Always use the manufacturers' specified spare parts.

SERVICE/INTERIM WORK ON BOILER <small>delete as appropriate</small>					Date:	
Engineer name:		Company name:				
Telephone N°:		Gas Safe registration N°:				
Max rate	CO	ppm	CO ₂	%	CO/CO ₂	
Min rate	CO	ppm	CO ₂	%	CO/CO ₂	
Where possible, has a flue integrity check been undertaken in accordance with manufacturers' instructions, and readings are correct?*					yes	
Gas rate:	m ³ /h	OR	ft ³ /h			
Were parts fitted? <small>delete as appropriate</small>		Yes	No			
Parts fitted:						
System inhibitor concentration has been checked and appropriate action taken, in accordance with BS 7593 and boiler manufacturers' instructions. *					yes	n/a
Comments:						
Signature:						

*A System inhibitor efficacy test is required on every annual service in accordance with the manufacturers' instructions and BS 7593. It is only acceptable to not have undertaken this if the service engineers attendance visit was in between annual services to attend a non-water facing component.

SERVICE/INTERIM WORK ON BOILER <small>delete as appropriate</small>					Date:	
Engineer name:		Company name:				
Telephone N°:		Gas Safe registration N°:				
Max rate	CO	ppm	CO ₂	%	CO/CO ₂	
Min rate	CO	ppm	CO ₂	%	CO/CO ₂	
Where possible, has a flue integrity check been undertaken in accordance with manufacturers' instructions, and readings are correct?*					yes	
Gas rate:	m ³ /h	OR	ft ³ /h			
Were parts fitted? <small>delete as appropriate</small>		Yes	No			
Parts fitted:						
System inhibitor concentration has been checked and appropriate action taken, in accordance with BS 7593 and boiler manufacturers' instructions. *					yes	n/a
Comments:						
Signature:						

*A System inhibitor efficacy test is required on every annual service in accordance with the manufacturers' instructions and BS 7593. It is only acceptable to not have undertaken this if the service engineers attendance visit was in between annual services to attend a non-water facing component.

SERVICE/INTERIM WORK ON BOILER <small>delete as appropriate</small>					Date:	
Engineer name:		Company name:				
Telephone N°:		Gas Safe registration N°:				
Max rate	CO	ppm	CO ₂	%	CO/CO ₂	
Min rate	CO	ppm	CO ₂	%	CO/CO ₂	
Where possible, has a flue integrity check been undertaken in accordance with manufacturers' instructions, and readings are correct?*					yes	
Gas rate:	m ³ /h	OR	ft ³ /h			
Were parts fitted? <small>delete as appropriate</small>		Yes	No			
Parts fitted:						
System inhibitor concentration has been checked and appropriate action taken, in accordance with BS 7593 and boiler manufacturers' instructions. *					yes	n/a
Comments:						
Signature:						

*A System inhibitor efficacy test is required on every annual service in accordance with the manufacturers' instructions and BS 7593. It is only acceptable to not have undertaken this if the service engineers attendance visit was in between annual services to attend a non-water facing component.

SERVICE/INTERIM WORK ON BOILER <small>delete as appropriate</small>					Date:	
Engineer name:		Company name:				
Telephone N°:		Gas Safe registration N°:				
Max rate	CO	ppm	CO ₂	%	CO/CO ₂	
Min rate	CO	ppm	CO ₂	%	CO/CO ₂	
Where possible, has a flue integrity check been undertaken in accordance with manufacturers' instructions, and readings are correct?*					yes	
Gas rate:	m ³ /h	OR	ft ³ /h			
Were parts fitted? <small>delete as appropriate</small>		Yes	No			
Parts fitted:						
System inhibitor concentration has been checked and appropriate action taken, in accordance with BS 7593 and boiler manufacturers' instructions. *					yes	n/a
Comments:						
Signature:						

*A System inhibitor efficacy test is required on every annual service in accordance with the manufacturers' instructions and BS 7593. It is only acceptable to not have undertaken this if the service engineers attendance visit was in between annual services to attend a non-water facing component.

SERVICE/INTERIM WORK ON BOILER <small>delete as appropriate</small>					Date:	
Engineer name:		Company name:				
Telephone N°:		Gas Safe registration N°:				
Max rate	CO	ppm	CO ₂	%	CO/CO ₂	
Min rate	CO	ppm	CO ₂	%	CO/CO ₂	
Where possible, has a flue integrity check been undertaken in accordance with manufacturers' instructions, and readings are correct?*					yes	
Gas rate:	m ³ /h	OR	ft ³ /h			
Were parts fitted? <small>delete as appropriate</small>		Yes	No			
Parts fitted:						
System inhibitor concentration has been checked and appropriate action taken, in accordance with BS 7593 and boiler manufacturers' instructions. *					yes	n/a
Comments:						
Signature:						

*A System inhibitor efficacy test is required on every annual service in accordance with the manufacturers' instructions and BS 7593. It is only acceptable to not have undertaken this if the service engineers attendance visit was in between annual services to attend a non-water facing component.

SERVICE/INTERIM WORK ON BOILER <small>delete as appropriate</small>					Date:	
Engineer name:		Company name:				
Telephone N°:		Gas Safe registration N°:				
Max rate	CO	ppm	CO ₂	%	CO/CO ₂	
Min rate	CO	ppm	CO ₂	%	CO/CO ₂	
Where possible, has a flue integrity check been undertaken in accordance with manufacturers' instructions, and readings are correct?*					yes	
Gas rate:	m ³ /h	OR	ft ³ /h			
Were parts fitted? <small>delete as appropriate</small>		Yes	No			
Parts fitted:						
System inhibitor concentration has been checked and appropriate action taken, in accordance with BS 7593 and boiler manufacturers' instructions. *					yes	n/a
Comments:						
Signature:						

*A System inhibitor efficacy test is required on every annual service in accordance with the manufacturers' instructions and BS 7593. It is only acceptable to not have undertaken this if the service engineers attendance visit was in between annual services to attend a non-water facing component.

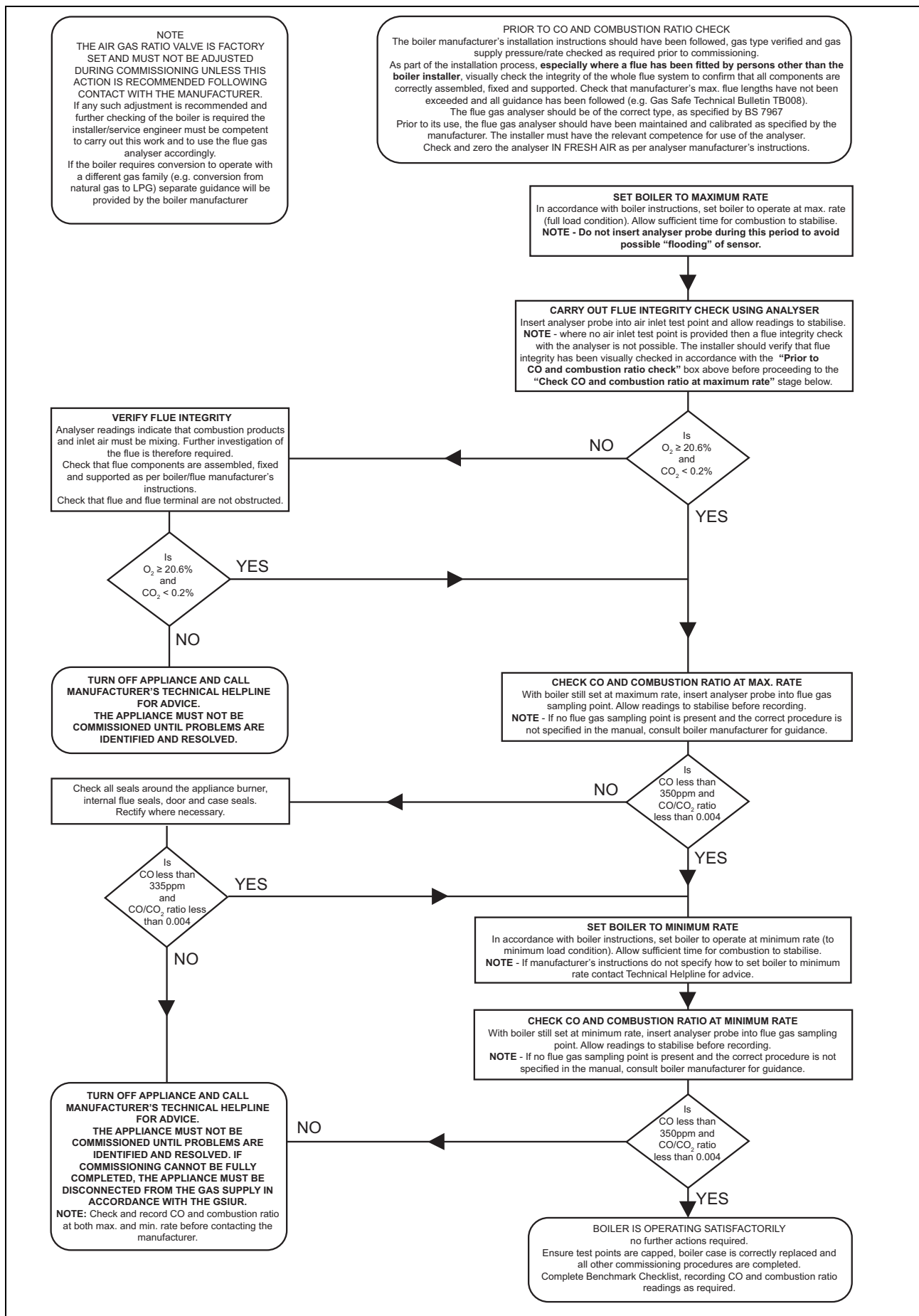
* All installations in England and Wales must be notified to Local Authority Building Control (LABC) either directly or through a Competent Persons Scheme. A Building Regulations Compliance Certificate will then be issued to the customer.

© Heating and Hotwater Industry Council (HHIC)



www.centralheating.co.uk

H Commissioning Flow Chart



Index

A		
Air intake pipe, removing	31	
Air/flue pipe, horizontal wall duct	15	
Air/flue pipe, installing	20	
Air/flue pipe, type C13	15	
Air/flue pipe, type C33	15	
Air/flue pipe, vertical roof duct	15	
Article number	9	
B		
Burner anti-cycling time	28	
Burner anti-cycling time, resetting	28	
Burner anti-cycling time, setting	28	
Burner, checking	32	
Burner, removing	31	
Burner, replacing	35	
Bypass valve	29	
C		
CE marking	9	
Check programmes	23	
CO ₂ content, checking	27, 31	
Condensate discharge pipe	18	
Condensate trap, cleaning	33	
Condensate trap, filling	25	
Control	21	
D		
Decommissioning	37	
Display and setting options	23	
Disposal, packaging	37	
Disposing of the packaging	37	
Documents	9	
E		
Electrical installation	20	
Expansion relief valve	37	
Expansion vessel, replacing	36	
F		
Factory settings, restoring	34	
Fault codes	34	
Fault memory, calling up	34	
Fault memory, deleting	34	
Fault messages	34	
Flue pipe, removing	31	
Frost protection	10	
G		
Gas Council Number	9	
Gas flow rate	26	
Gas group, checking	17	
Gas setting	26	
Gas-air mixture, removing	31	
Guarantee and Customer Service	6	
H		
Handing over to the end user	30	
Heat exchanger, cleaning	32	
Heat exchanger, replacing	35	
High-efficiency pump	28	
High-efficiency pump output	28	
I		
Identification plate	9	
Ignition electrode, checking	32	
Ignition transformer, removing	31	
Inspection work	31, 38	
Inspection work, completing	34	
Installation, preparations	17	
Installer level	23	
Installer level, calling up	23	
Intended use	3	
K		
Kammerbelüftung	12	
L		
Leak-tightness	28, 37	
M		
Maintenance work	31, 38	
Maintenance work, completing	34	
Minimum clearance	12	
Mounting template	15	
O		
Operating concept	23	
Overheating protection	10	
P		
PCB, replacing	36	
Power supply	21	
Power supply, establishing	21	
Pre-charge pressure of the expansion vessel, checking	34	
Pressure sensor	37	
Product, decommissioning	37	
Product, draining	34	
Product, mounting	15	
Product, switching on	25	
Pump head	36	
R		
Regulations	5	
Removing the front casing	16	
Repair work, preparing	34	
S		
Safety devices	10	
Scale	17	
Scale deposition	17	
Side section, removing	16	
Spare parts	34	
Status codes	23	
Switching on	25	
T		
Treating the heating water	24	
U		
User interface, replacing the PCB	36	
V		
Validity of the instructions	9	
Volume flow sensor	37	
W		
Weight	15	

Supplier

Vaillant Ltd.

Nottingham Road ■ Belper ■ Derbyshire ■ DE56 1JT

Telephone 0330 100 3461

info@vaillant.co.uk ■ www.vaillant.co.uk



0020230531_07

Publisher/manufacturer

Vaillant GmbH

Berghauser Str. 40 ■ D-42859 Remscheid

Tel. +492191 18 0 ■ Fax +492191 18 2810

info@vaillant.de ■ www.vaillant.de

© These instructions, or parts thereof, are protected by copyright and may be reproduced or distributed only with the manufacturer's written consent.

Subject to technical modifications.